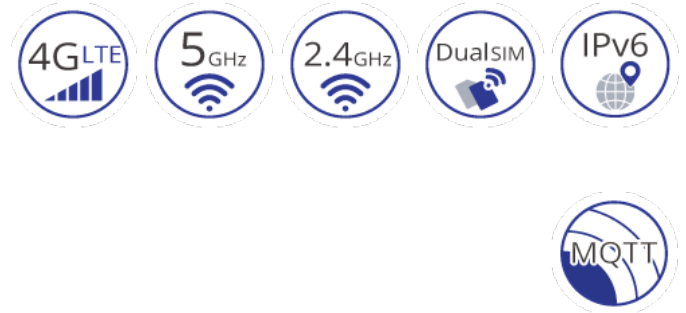


EW200 系列

工業級 4G LTE 行動通訊與 Wi-Fi 閘道器



Microsoft
Azure
Certified



產品介紹

EW200 為一款智慧型工業級行動通訊閘道器，結合 IEEE 802.11b/g/n/ac 無線網路和 4G LTE 行動通訊，專為關鍵基礎設施和工業應用而設計，在惡劣環境提供可靠和安全的連接。EW200 內建四組高速乙太網路傳輸埠，提供高速可靠的資料傳輸、即時 IT 斷線警告，可連結多達 4 個網路設備，並支援雙 SIM 卡故障備援，以確保連線不中斷，最適合遠端安全監控管理。

EW200 通過 Microsoft Azure 物聯網設備認證。還能透過無線網路、乙太網路、串列訊號和數位 I/O 提供最佳傳輸品質，滿足大部分的應用。符合全球 LTE 通訊標準，可快速佈建易於管理的遠距行動通訊網路架構，EW200 是一款適合各種嚴苛應用環境的工業級行動通訊路路由器與閘道器。

[EW200 Series Industrial LTE Cellular Gateway](http://www.etherwan.com/tw/products/ew200-series)

產品亮點

+ 多元介面彈性搭配

可連接各種領域的乙太網路、串列 I/O (RS485) 及支援業界最普遍的通訊協定 Modbus TCP 以利串接各式周邊裝置
虛擬 COM 可存取、控制及管理連接之串列設備
完美應用於 M2M (機器對機器) 及 IIoT (工業物聯網) 應用架構

+ 可靠、不間斷的傳輸品質

雙 SIM 卡設計，可支援行動傳輸備援
Fail over 管理機制確保網路穩定可靠度
支援 Gigabit 乙太網路、內建備援協定 VRRP 及回復機制，以確保遠端設備與控制中心之間的行動通訊

+ 全面資安防護

支援 IPSec、OpenVPN、PPTP 和 L2TP VPN 存取通道最大 100 Mbps 傳輸量 (IPSec)
支援 Gigabit 乙太網路、內建備援協定 VRRP 及回復機制，以確保遠端設備與控制中心之間的行動通訊

+ 工業等級設計

IP30、無風扇、金屬外殼設計
支援 -30 到 70°C (-22 至 158°F) 的操作溫度
雙電源輸入備援機制 (透過端子台)

+ 物聯網雲端連結

採用 MQTT 協定

產品規格

+ Cellular Interface

Standards

Cellular Frequency Bands: (Please see order information for optional band)
LTE Cat. 4: FDD-LTE, TDD-LTE, Transfer rate (max):
LTE FDD: 150Mbps down; 50Mbps up
LTE TDD: 130Mbps down; 35Mbps up
3G: WCDMA, Transfer rate (max): 42Mbps down; 5.76Mbps up
2G: GSM/EDGE, Edge Transfer rate (max): 236.8Kbps down & up

Antenna connector

2 x SMA Female

SIM Slot

2

+ WLAN Interface

WiFi

802.11 a/b/g/n/ac 2T2R (2.4G/5GHz selectable)

Frequency Band

Europe CE 2.4GHz (13 channels) 5GHz (4 channels)
America FCC 2.4GHz (11 channels) 5GHz (9 channels)
Taiwan NCC 2.4GHz (11 channels) 5GHz (9 channels)
Singapore iDA 2.4GHz (13 channels) 5GHz (9 channels)
Japan TELEC & JATE 2.4GHz (13 channels) 5GHz (19 channels)

Encryption Security

WEP, WPA 1/2-PAK & WPA 1/2 (8 x VAP/SSID)

Antenna Connector

2 x SMA Male

+ Functions

WiFi LAN

AP Router, WDS, WDS Hybrid Modes

VLAN

Port-based, Tag-based VLAN

Port Forwarding

Virtual Server/Computer, DMZ Host, PPTP/L2TP/IPSec Pass-through

Routing

Static, Dynamic: RIP1/RIP2, OSPF, BGP

QoS

Policy-based Bandwidth Control and Packet Flow Prioritization

VPN

IPSec, OpenVPN, PPTP, L2TP, GRE

Firewall

SPI Firewall with Stealth Mode, IPS

Event Engine/Event Handling

Managing/Notifying Events: DI, DO, Modbus, SMS, Syslog, SNMP Trap, Email Alert, Reboot

Device Management Solution

eVue

+ Power

Input

DC 12V-48V (Terminal Block)

Power Consumption

25W Max.

+ Ethernet

Standards

IEEE 802.3 10Base-T
IEEE 802.3u 100BASE-TX/100BASE-FX
IEEE 802.3ab 1000BASE-T
IEEE 802.1x, Full duplex flow control

Ports

1 x RJ45 GE (WAN/LAN configurable) +4 x RJ45 GE

Physical Layer

10/100/1000Base-T

+ Serial

Ports • 1 x RS485

+ I/O

DI/DO

1 x Digital In ("Logic 0": 0-2V, "Logic 1": 5V-30V)
1 x Digital Out (Relay Mode, up to 30V/1A)

+ USB

Standards

USB 2.0

Ports

1 x USB Type A

+ Environmen

Operating Temperature

-30 to 70°C (-22 to 158°F)

Storage Temperature

-40 to 85°C (-40 to 185°F)

Ambient Relative Humidity

5% to 95% (non-condensing)

+ Field Communication

Virtual COM

RFC2217, TCP Client, TCP Server, UDP

Modbus

Gateway for Modbus TCP, Modbus RTU/ASCII
Master/Slave Access
Slave for Device Status/Information Access

Data Interchange

MQTT Broker, MQTT Client

Data Logging

Sniffer, Off-line/Full-time Proxy, Mixed modes

+ Mechanical

Dimension

62 x 135 x 160mm (with DIN-Rail kit)

Weight

1.2Kg (2.64lb)

Installation

DIN-Rail

+ Regulatory Approval

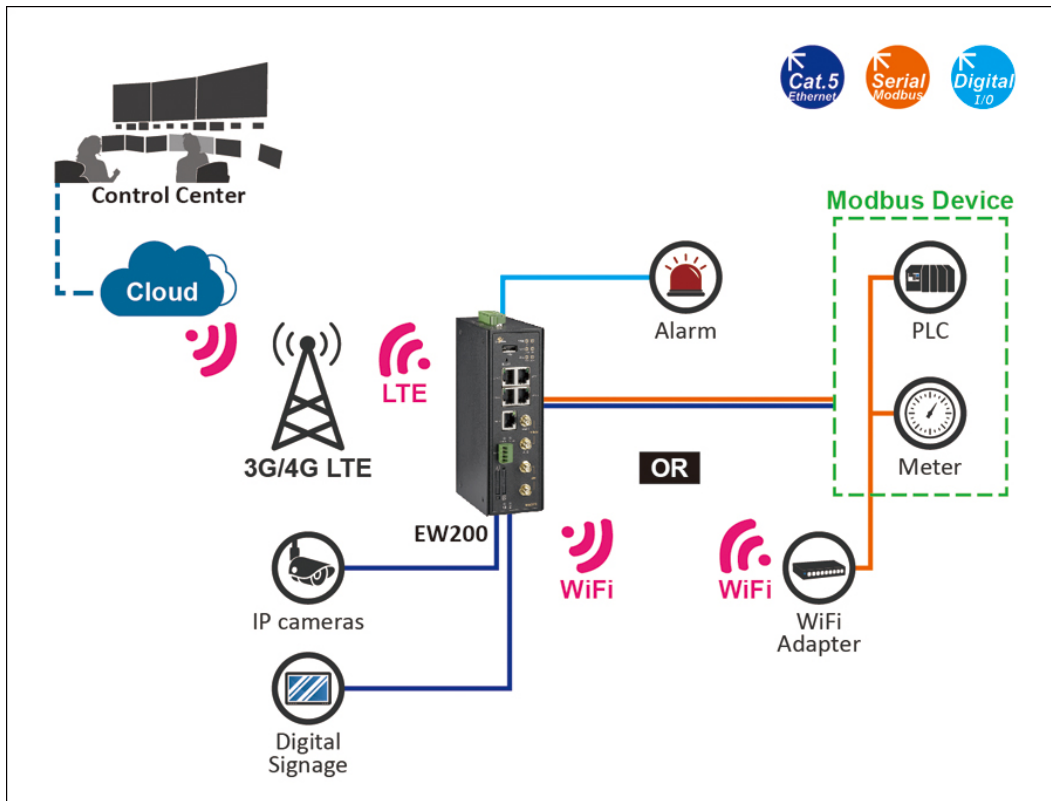
Safety

EN 60950-1
EN 62368-1: 2014

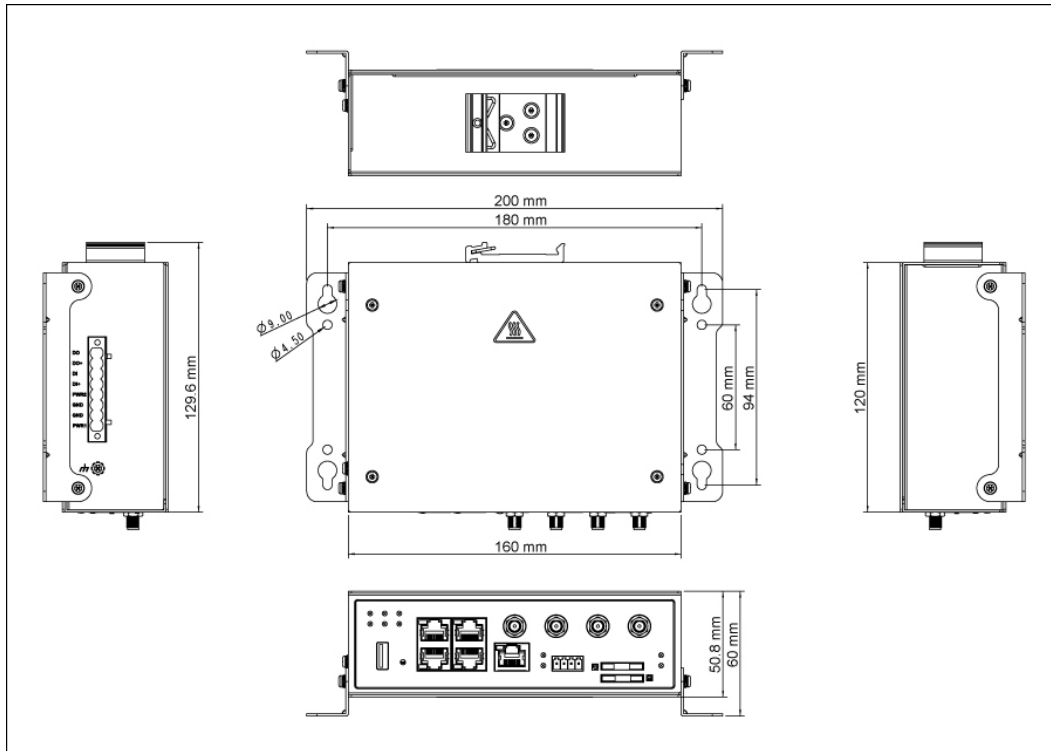
Emissions/Immunity

CE/NCC BSMI/NBTC

產品應用圖



產品尺寸圖



頻率段

+ 可選的頻段區域代碼


	4G LTE		3G	2G	地區
貨品編碼	FDD LTE	TDD LTE	WCDMA	GSM/EDGE	
TA	B1(2100)/ 3(1800)/ 4(AWS)/ 5(850)/ 7(2600)/ 8(900)/ 28(700 APT)	B40(2300)	B1(2100)/ 2(1900)/ 5(850)/ 8(900)	B2(1900)/ 3(1800)/ 5(850)/ 8(900)	台灣
EUS	B1(2100)/ 3(1800)/ 5(850)/ 7(2600)/ 8(900)/ 20(800)	B38(TD 2600)/ 40(TDV 2300)/ 41(TD 2500)	B1/ B5/ B8	B3(1800)/ 8(900)	歐盟， 越南， 泰國



訂購型號

+ 型號

EW200-EUS	Industrial LTE Cellular Gateway-EUROPE & SOUTH ASIA
EW200-TA	Industrial LTE Cellular Gateway-TAIWAN

+ 配件選購

GWAP-2	項目	數量	頻率	說明	備註
	LTE	2	698-960/ 1710-2170/ 2300-2690MHz	Cellular Omni Antenna, N/female Jack Bulkhead	IP67
	Wi-Fi Antenna	2	2.4-2.5/ 4.9-5.9GHz	Wi-Fi Omni Antenna, N/female Jack	IP67
	Surge Protector	4	-	0-6GHz Surge Lightning Protector, N/female Jack Bulkhead To N/male Plug	IP67
	Bracket	4	-	-	-
	Wi-Fi Cable	2	-	SMA/female Plug (reverse) To N/male Plug with NFC200 Cable	-
	LTE Cable	2	-	SMA/male Plug To N/male Plug with NFC200 Cable	-

P/N.	圖片	項目	數量	頻率	說明	備註
W96G-GY113HT46		Cellular Antenna Base	1	-	This antenna base can be used on EW50 / EW200 / AiR PACE LTE antenna to extend 1.5M. Each model needs 2 antenna bases. This antenna base is not IP67.	-
W96G-11361Y50V		Wall Mount Kit	1 set	-	1 set package includes 2 wall mount (Right side & Left side) & 4 pcs screws	-



© EtherWAN Systems, Inc. All rights reserved. 20240807

EtherWAN is constantly developing and improving products. Specifications are subject to change without notice and without incurring any obligation.