

EL1142 系列

IEC 61850/IEEE 1613 強固級 2埠10/100BASE-TX +2埠100BASE-FX 光電轉換器



產品介紹

EL1142系列具備2組獨立10/100BASE-T網路埠和2個100BASE-SX-LX光纖埠，有效整合不同介面傳輸，支援2個獨立光電轉換器路徑，在空間有限的應用環境中更具安裝彈性。

EL1142 符合IEC 61850-3/IEEE 1613相容認證，抗電磁干擾設計，適用於變電站、電力整合等應用市場，支援Link-Fault-Pass-Through (LFPT)自動斷開故障連結，避免封包持續傳送，快速偵測到網路連線的錯誤。

EtherWAN — "When Connectivity is Crucial."

產品亮點

+ 高密度埠距

在精巧機體中提供兩個獨立的光電轉換器路徑

+ 符合EN 50121-4認證

專為軌道環境應用設計及測試

+ 符合IEC 61850-3/IEEE 1613認證

符合變電站自動化所需之應用標準

+ 支援Link-Fault-Pass-Through (LFPT)

針對光電轉換器連線狀態提供持續的監控
當連線的其中一端中斷，另一端仍然繼續傳輸封包，
然後等待已經斷線的那一端重新連線啟動

產品規格

+ Technology

Standards

IEEE 802.3 10BASE-T
IEEE 802.3u 100BASE-TX
IEEE 802.3ab 1000BASE-T

Forward and Filtering Rate

14,880pps for 10Mbps
148,810pps for 100Mbps

Packet Buffer Memory

128K bits

Processing Type

Store-and-forward
Auto Negotiation
Half-Duplex back-pressure and IEEE 802.3x Full-Duplex flow control
Auto MDI/MDIX

+ Interface

Ethernet Ports

10/100BASE-TX: 2 ports
100BASE-FX: 2 ports

LED Indicators

Per Unit: Power1, Power2, Alarm
Per 10/100BASE-TX port: Link/Activity, 100, Full-Duplex/Collision, LFPT
Per 100BASE-FX port: Link/Activity, Full-Duplex/Collision

Relay Contact

Dry contact with current 0.6A/30VDC

+ Power

Input
12-48VDC

Power Consumption
4.5W Max
0.37A@12VDC
0.17A@24VDC
0.09A@48VDC

Protection
Overload Current Protection
Reverse Polarity Protection

+ Mechanical

Casing
Aluminum Case
IP30

Dimensions
50 x 110 x 135mm (W x D x H)
(1.97" x 4.33" x 5.31")

Weight
1.2kg (2.64lbs.)

Installation
DIN-Rail (top hat type 35mm) or panel mounting

+ Environment

Operating Temperature
-40 to 75°C (-40 to 167°F)

Storage Temperature
-40 to 85°C (-40 to 185°F)

Ambient Relative Humidity
5% to 95% (non-condensing)

+ Regulatory Approvals

ISO
Manufactured in an ISO 9001 facility

Safety
UL 61010

EMC
FCC Part 15B Class A
VCCI Class A
EN 61000-6-4
EN 61000-6-2 Class A
EN 55032 Class A

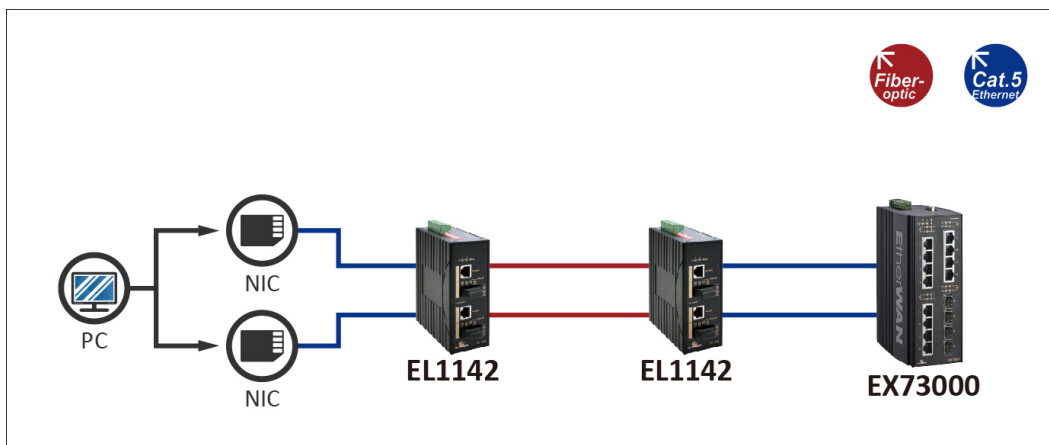
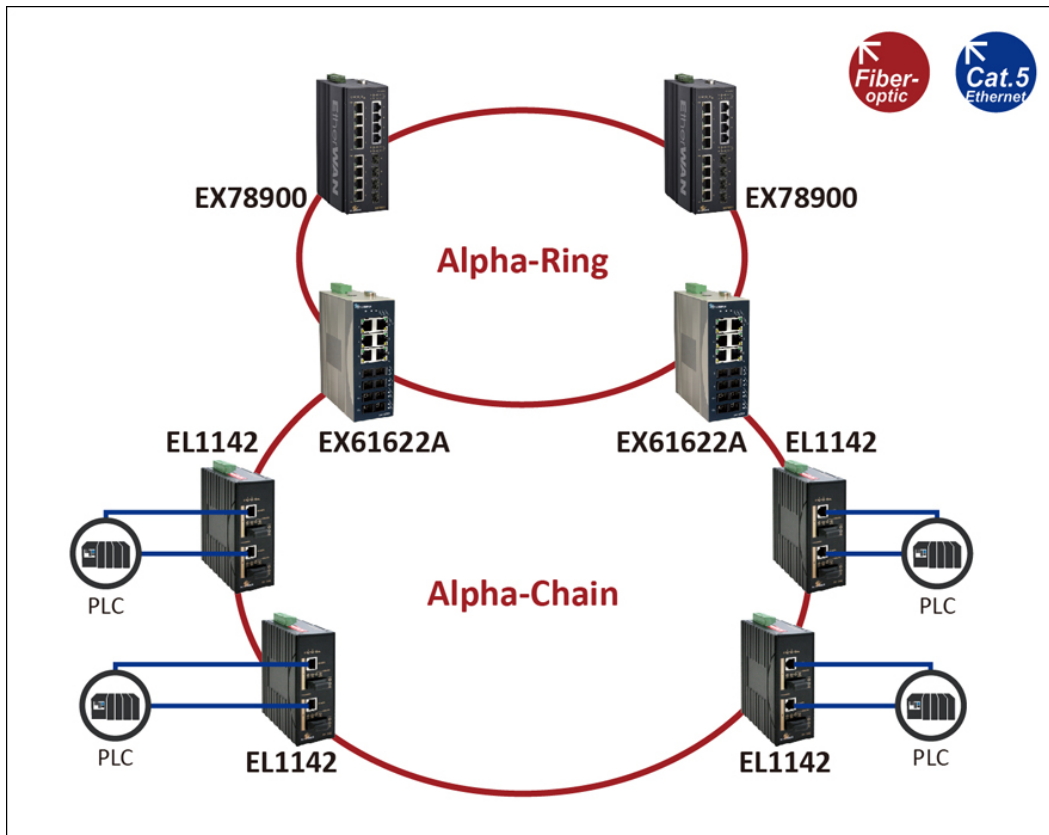
EMS
EN 61000-6-2

- EN 61000-4-2 (ESD Standards)
- EN 61000-4-3 (Radiated FRI Standards)
- EN 61000-4-4 (Burst Standards)
- EN 61000-4-5 (Surge Standards)
- EN 61000-4-6 (Induced RFI Standards)
- EN 61000-4-8 (Magnetic Field Standards)

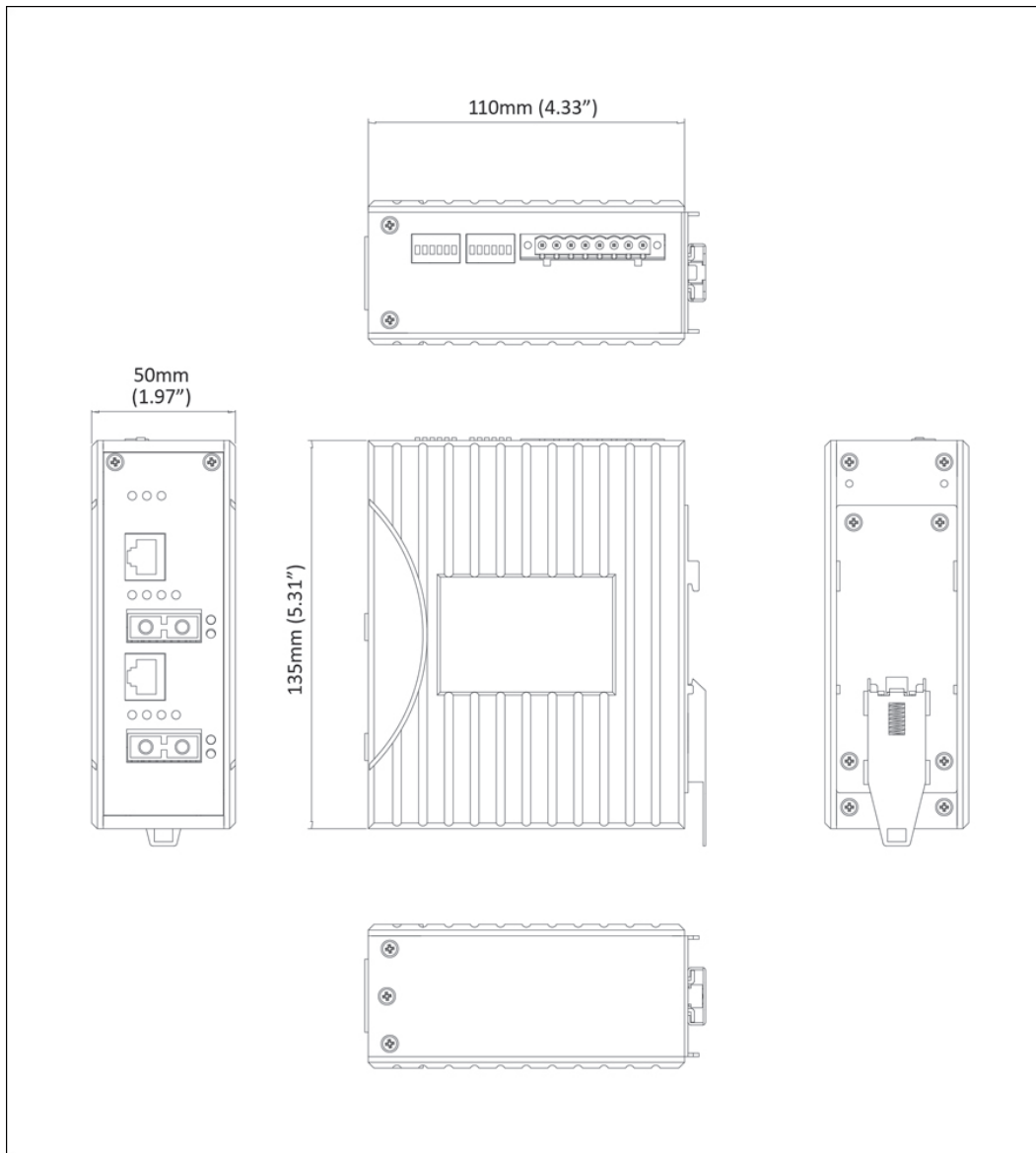
Environmental Test Compliances
IEC 60068-2-6 Fc (Vibration)
IEC 60068-2-27 Ea (Shock)
FED STD 101C Method 5007.1 (Free fall w/ package)

Industrial Compliance
IEC 61850-3/IEEE 1613
EN 50121-4

產品應用圖



產品尺寸圖



訂購型號

+ 型號

EL1142-X0B	2-Port 10/100BASE-TX +2-Port 100BASE-FX IEC 61850-3/IEEE 1613 Hardened Media Converter
-------------------	--

* DIN-Rail mounting kit included.

+ 100BASE-X Fiber Options (X)

1	Multi Mode (SC) - 2Km (1310nm)
2	Multi Mode (ST) - 2Km (1310nm)
A	Single Mode (SC) - 20Km (1310nm)
B	Single Mode (SC) - 40Km (1310nm)
H	Single Mode (ST) - 20Km (1310nm)

+ Optional Accessories

KP-AA96-480	KP-AA96-480 Panel mounting kit
HDR-30-24	30W/1.5A DIN-Rail 24VDC Industrial Power Supply
HDR-60-24	60W/2.5A DIN-Rail 24VDC Industrial Power Supply
EDR-75-24	75W/3.2A DIN-Rail 24VDC Industrial Power Supply
EDR-120-24	120W/5A DIN-Rail 24VDC Industrial Power Supply
EX41-145046-X	Power Supply 45W 12VDC with Open Wire (X) = 1: US, 2: EU, 3: UK, 4: AU, 5: JP, 6: SA

