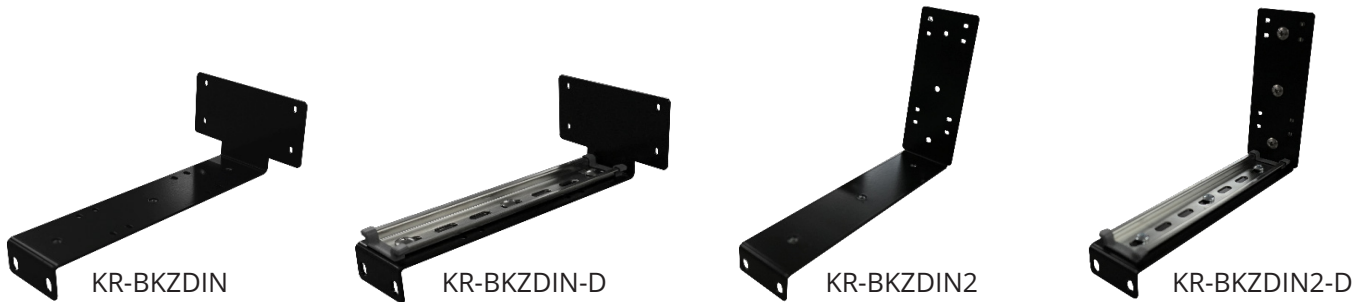


KR-BKZDIN

Z-Shape Cabinet Brackets



Product Highlights

Dynamic Install

- Install anywhere in open rack or cabinet space
- Vertical and horizontal configurations for larger installation flexibility
- Din Rail configuration support for EX78900/EX78900E/EX78000/EX73900/EX73900E

Overview

KR-BKZDIN brackets offer the installation of EX78900/EX78900E/EX78000/EX73900/EX73900E inside rack or cabinets virtually anywhere with open space. Vertical and horizontal configurations allow device installation in unique spaces. Din-rail configurations for KR-BKZDIN gives brackets the ability to attach even more devices.

Ordering Information

Model

KR-BKZDIN	Z-Shaped Vertical Bracket
KR-BKZDIN-D	Din Rail configuration for Z-Shaped Vertical Bracket
KR-BKZDIN2	Z-Shaped Horizontal Bracket
KR-BKZDIN2-D	Din Rail configuration for Z-Shaped Horizontal Bracket

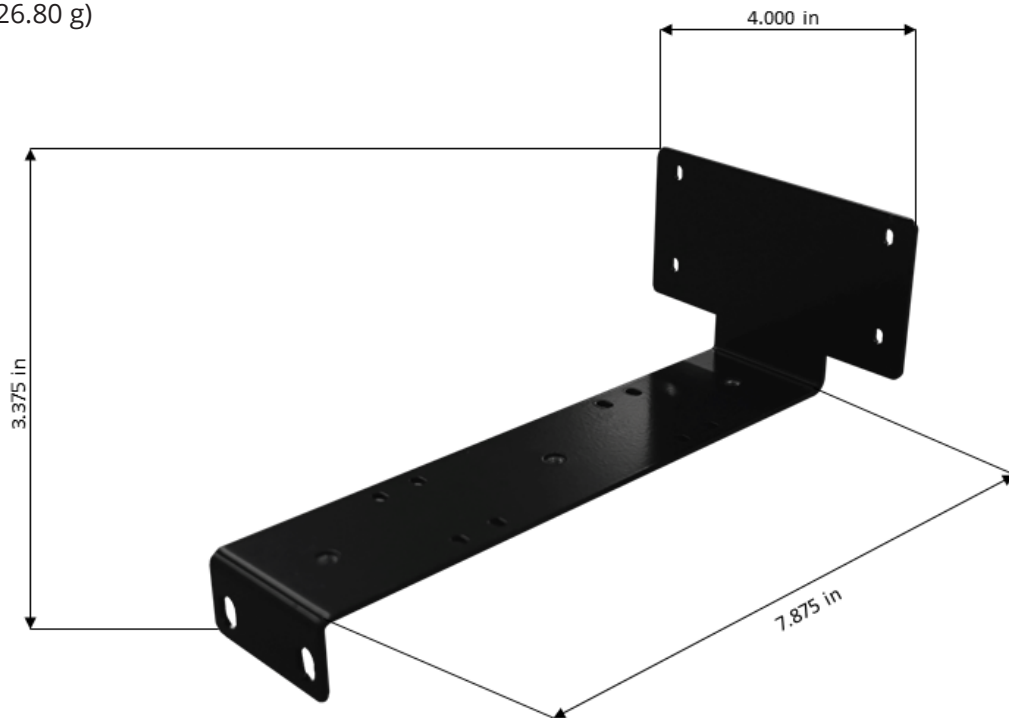
Technical Specifications

Product Number: KR-BKZDIN

Build Material: Metal

Color: Black

Weight: .50lb (226.80 g)

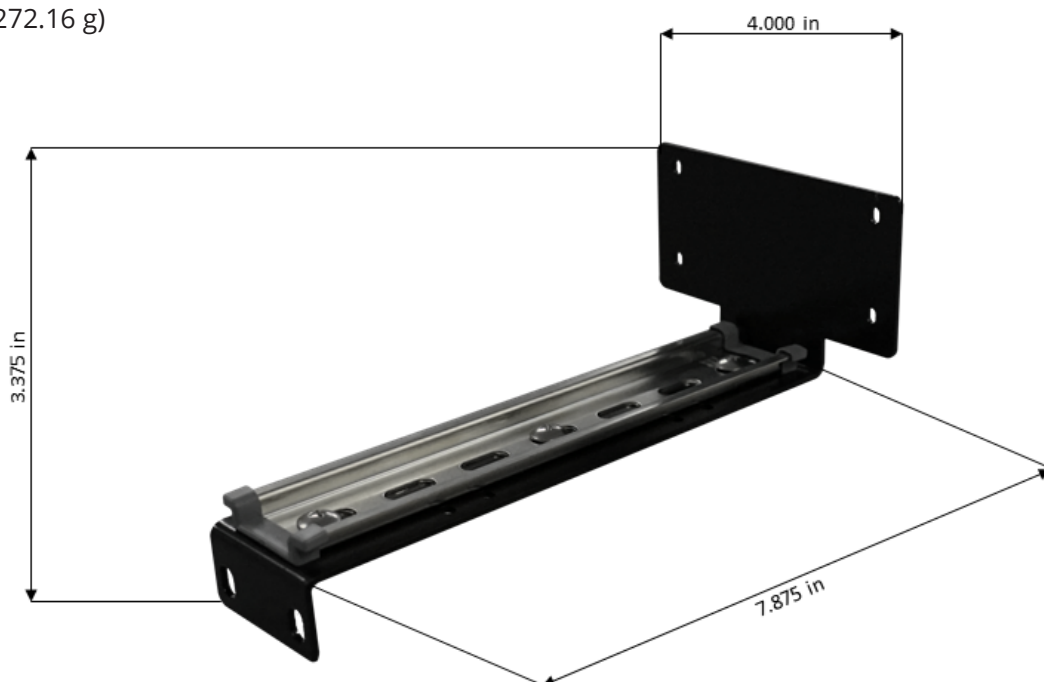


Product Number: KR-BKZDIN-D

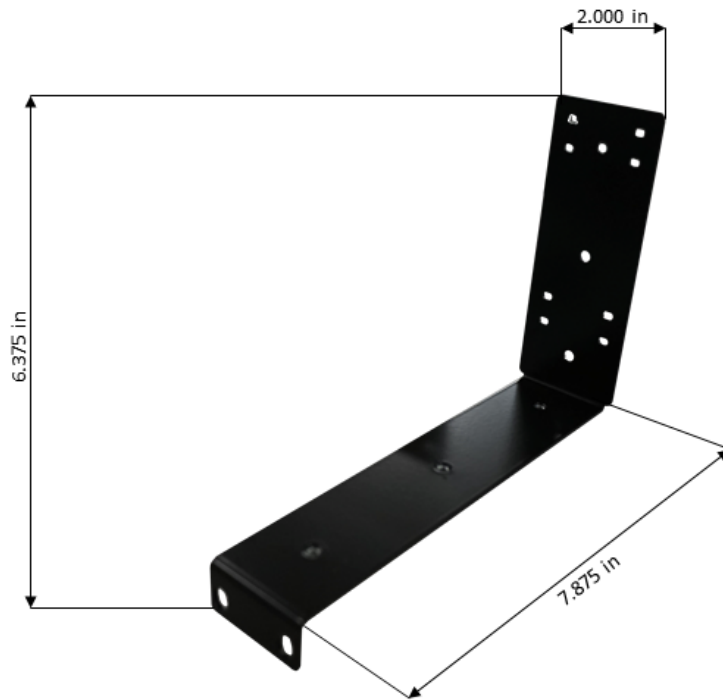
Build Material: Metal

Color: Black

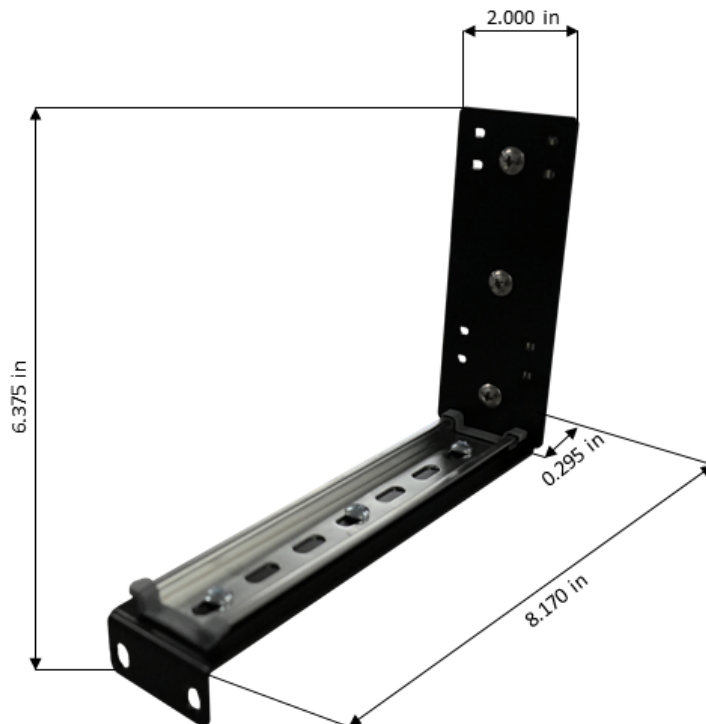
Weight: .60lb (272.16 g)



Product Number: KR-BKZDIN2
Build Material: Metal
Color: Black
Weight: .55lb (248.48 g)



Product Number: KR-BKZDIN2-D
Build Material: Metal
Color: Black
Weight: .80lb (362.88 g)



Application



Most cabinets do not utilize the empty spaces in the back.



Our brackets allow for the installation of non-rack mount switches.



Devices can be attached directly to the bracket.



Din Rail configuration allows Din Rail devices to be mounted, which frees up more space for more devices.