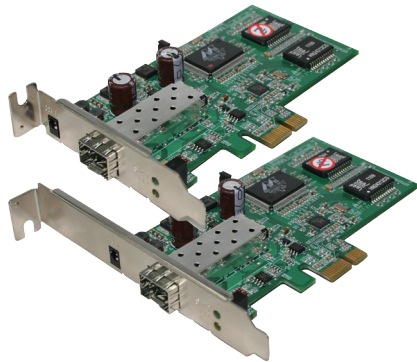


GE3100 Series

PCI Express Gigabit Ethernet Adapter



Features

- Compliant to IEEE 802.3z 1000BASE-SX/LX/SFP
- Supports PCI Express 1.1
- Supports low profile
- 0 to 45°C operating temperature range
- Supports power down/link down power saving
- Plug-and-Play Support
- Jumbo Frame up to 9K Bytes
- RFC 1157 SNMP v1 compliant
- Preboot Execution Environment (PXE) 2.1
- Supports PCI Message Signaled Interrupt (MSI)
- IEEE 802.1P Layer 2 Priority Encoding
- IEEE 802.1Q VLAN tagging
- Supports ASF (Alert Standard Format) 2.0

Hardware Specifications

Technology

Standards

- IEEE 802.3 10BASE-T
- IEEE 802.3u 100BASE-TX
- IEEE 802.3ab 1000BASE-T
- IEEE 802.3z 1000BASE-SX/LX/SFP
- IEEE 802.3Q VLAN tagging
- IEEE 802.3p Priority Encoding
- IEEE 802.3x Full duplex flow control

Jumbo Frame

- 9K bytes

Driver

- Windows Vista, Windows 2003, Windows XP, Windows 2000, Windows 7/8, and Windows 10
- Linux 2.4/2.6/3.x
- MacOS 10.4, 10.5, 10.6, and 10.7 (Intel-based)

Power

Power Consumption

- 3.2W Max.

Mechanical

Dimensions

- Low Profile:
80 x 117.6mm (W x D)
(3.2" x 4.7")
- 117.5 x 117.6 mm (W x D)
(4.7" x 4.7")

Weight

- 52g (1.8oz.)

Interface

Ethernet Port

- Gigabit: 1 port

LED Indicators

- LED Connector: Per Unit: Link/Activity, SPD

Environment

Operating Temperature

- 0 to 45°C (32 to 113°F)
Tested @ -10 to 55°C (14 to 131°F)

Storage Temperature

- -20 to 70°C (-4 to 158°F)

Ambient Relative Humidity

- 5% to 95% (non-condensing)

Regulatory Approvals

ISO

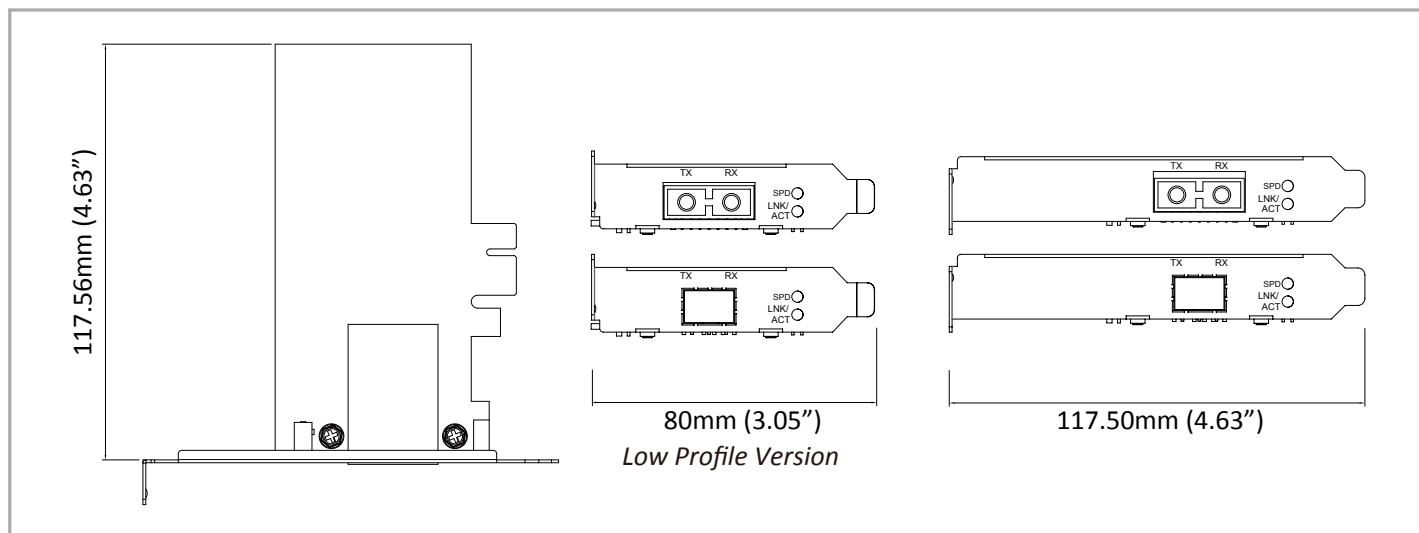
- Manufactured in an ISO 9001 facility

EMI

FCC Part 15 Class B

CE VCCI Class B

Dimensions



Ordering Information

Model

GE3100PSC	1000BASE-SX (SC) Multi-Mode Fiber Gigabit Ethernet Adapter (Low Profile)
GE3100PSFP	1000BASE SFP Gigabit Ethernet Adapter (Low Profile)
GE3100SC	1000BASE-SX (SC) Multi-Mode Fiber Gigabit Ethernet Adapter
GE3100SFP	1000BASE SFP Gigabit Ethernet Adapter
GE3100PTX	10/100/1000BASE-T Gigabit Ethernet Adaptor (Low profile)

** More Gigabit options also available upon request.*