

1 Unpacking

Open the carton and unpack the items. Your package should include:

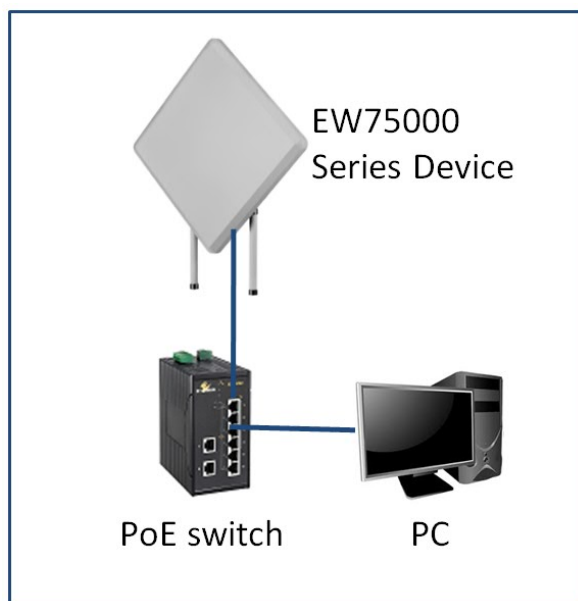
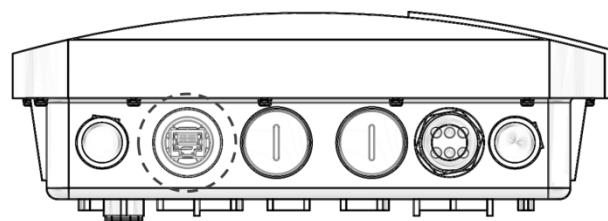
- One EW75000 hardened wireless access point (AP) or subscriber unit
- Zero, two or four omnidirectional antennas, depending on model
- Mounting bracket set
- Grounding wire and screw
- Quick installation guide

If any items are missing or damaged, notify your EtherWAN representative.

2 Supplying Power

All EW75000 series models are PoE Powered Devices, and have no AC or DC power socket. Power is supplied through an Ethernet cable plugged into the RJ45 port (shown in figure below). The cable must be connected to a switch that supports PoE, or an inline power injector. Maximum power consumption is 13 watts.

RJ-45 PoE Port



3 Digital Configuration

Use an Ethernet cable to connect a PC to the PoE switch or power injector, and another cable to connect the switch/injector to the EW75000. Use a web browser to navigate to the default IP address, and log in.

The default IP address is 192.168.1.20

User name is `root`, no password.

eWAV Series

You have connected to an eWAV system. Unauthorized access is prohibited. All activities performed on this device are logged and monitored.

Login:

Login:

Password:

The Quick Set page will display by default. Select the function mode from the drop-down menu in the upper right corner. The fields displayed depend on the mode selected. Alternatively, you can exit the Quick Set page by clicking the "Advanced Mode" tab in the upper right corner, and going directly to the main screen.

4 Connect Antennas

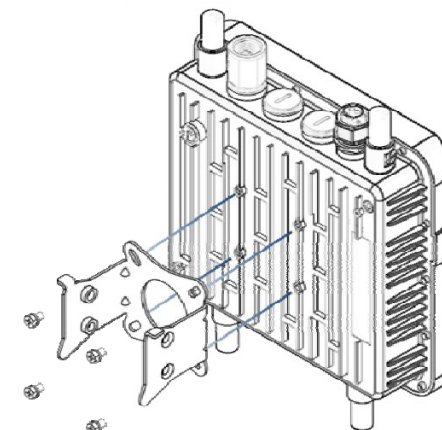
Depending on the model, your device may be equipped with an internal directional antenna, which provides long-distance coverage in the direction it is pointing. Some models include two 5 GHz and/or two 2.4GHz omnidirectional antennas. Screw the antennas into the corresponding threaded sockets in the housing.

5 Physical Installation

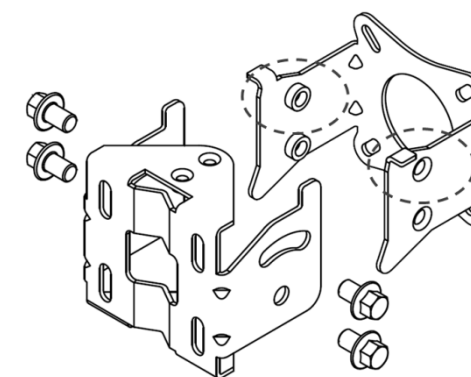
NOTE: It is recommended to test all wireless devices before final installation. This includes bench testing, and signal testing of the AP and subscriber unit in the positions where they will be mounted. Loosely mount AP and subscriber units in the intended installation spots, and ensure that the transmission signal is strong enough for the intended application.

This product is designed for outdoor installation on a pole or wall. It is recommended to install the AP at a height of at least 5 meters (15 feet). A higher mounting position will result in a stronger signal. Make sure that there are no obstacles between devices. Mount the AP with the Ethernet port and LED facing down.

1. Align the four holes on the housing bracket with those on the back face of the housing, and use the four M5 hex screws to attach the bracket to the housing.

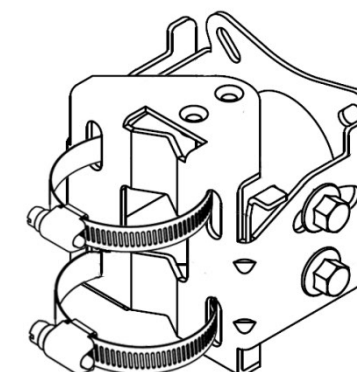


2. Attach the two brackets with the supplied M8 hex screws as shown in figure below. Make sure the stop tabs (indicated by dotted circles in figure) are on the same side as the arc-shaped slot.



Pole mounting:

Slide the two ring clamps into the four vertical slots on the bracket. Wrap the clamps around the pole, and tighten the side screws so that the clamps are securely held on the pole.

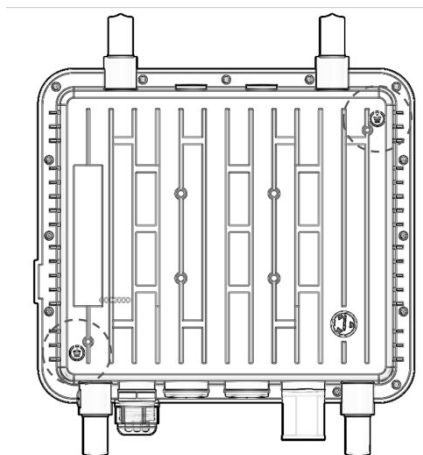


Wall mounting:

To mount to a wall, use two L-brackets (not supplied), and secure them to the triangular tabs on the top and bottom of the AP bracket. Make sure the L-brackets used and the wall itself are strong enough to hold the weight of the device.

6 Grounding

There are two grounding terminals located on the rear of the housing. Attach the supplied grounding wire to the housing at either terminal using the supplied screw, and tighten so that the grounding wire is secure. Attach the other end of the grounding wire to an electrical ground.



7 Surge Protection

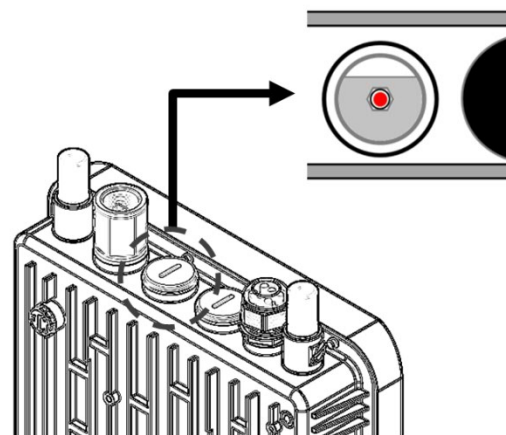
In areas with high incidence of lightning, it is suggested to install surge protection devices on the Ethernet cable, such as the PD1041 hardened surge protection device available from EtherWAN. This will protect the indoor network from damage caused by electrical surges through the data cable. Check your local electrical codes, and contact your EtherWAN representative to find out more.

Note that the omnidirectional antennas that come with some models are equipped with built-in 230 volt gas discharge tube surge protectors, which can be replaced as needed.

8 Reset Button

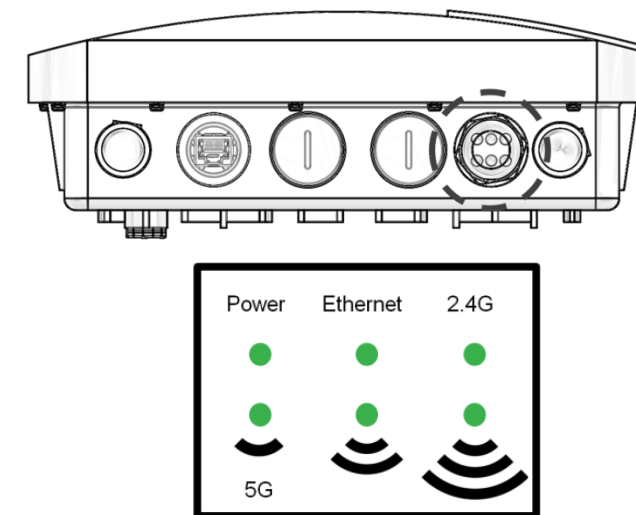
There is a reset button located at the bottom of the housing. To access the button, remove the protective cap as shown in the figure below.

Press and hold the reset button for eight seconds to reset the device operating system to its default state.



9 LED Status Indicators

The unit has 6 green LED indicators, located on the bottom of the housing.



Power: When lit, indicates that device is receiving PoE power.

Ethernet: (Steady on) Indicates the Ethernet port link is up. (Flashing) Indicates data is being transferred.

2.4G: When lit, indicates 2.4G wireless link connected.

5G: Indicates 5G wireless link connected.

- One LED lit indicates low signal strength.
- Two LEDs lit indicate medium signal strength.
- Three LEDs lit indicate strong signal strength.

EW75000 Series Model Reference						
Model	EW75200-0804	EW75200-1304	EW75200-2104	EW75000-08	EW75000-13	EW75000-21
Mode	Access Point (AP)			Subscriber		
2.4G	✓	✓	✓	-	-	-
5G (AP)	✓	✓	✓	✓	-	-
5G (Subscriber)	-	-	-	-	✓	✓