

# EPOW-54-600

Hardened Power Supply 54V 600W



## Product Highlights

### → Reliable Power Delivery

- Active built-in PFC for max power distribution efficiency
- Constant voltage across output terminal

### → Hardened-Grade

- Wide operating temperature range from -40 to 75°C (-40 to 167°F)
- Fanless operation
- IP67 total dust protection and water resistance

### → NEMA TS2

- Complies with NEMA TS1 & TS2 electrical and temperature requirements for traffic control equipment
- High impact, thermal shock, and electrical noise resistance

### → Easy Install

- AC and DC cables pre-attached
- Mounting holes to install outdoors and or in cabinets

## Overview

With a wide operating temperature range of -40 to 75°C (-40 to 167°F) and built with an aluminum fanless design, EtherWAN's EPOW-54-600 is a 54V 600W hardened power supply designed to operate in the most extreme environments. The EPOW-54-600 has a 600W power budget and built in over-voltage and short-current protection, making it a perfect and reliable solution for PoE applications.

## Ordering Information

### Model

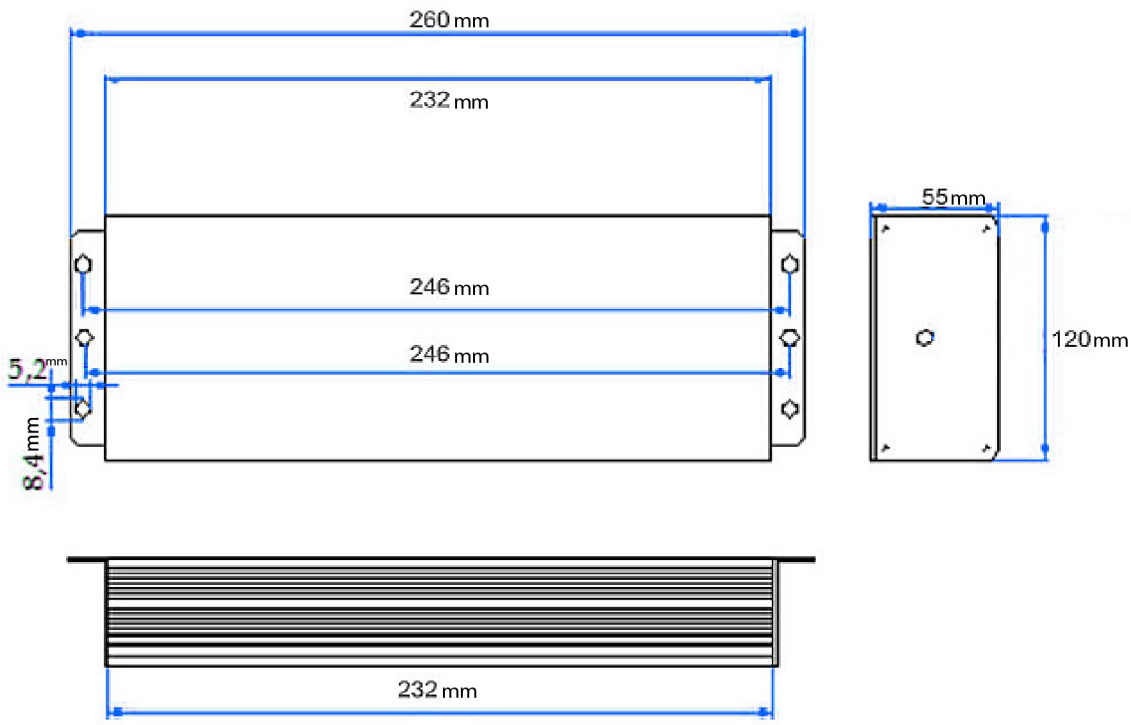
EPOW-54-600

Power Supply, Hardened ( -40°C - +75°C) External 100-277 VAC Input; NEMA-TS2 rated; 600W, 54VDC, 0-11.1A with Open Wire (US Plug)

# Hardware Specifications

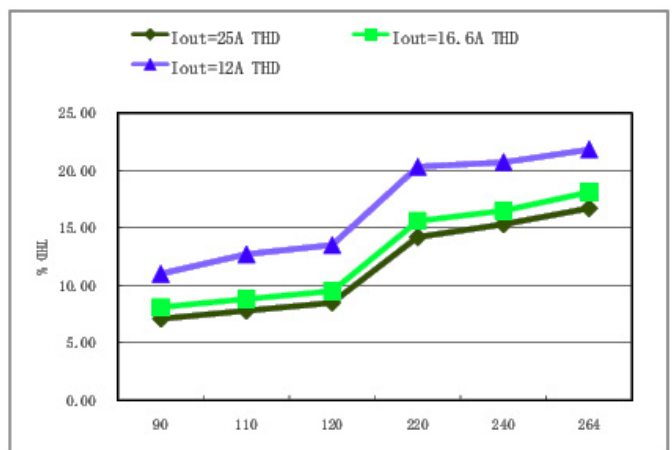
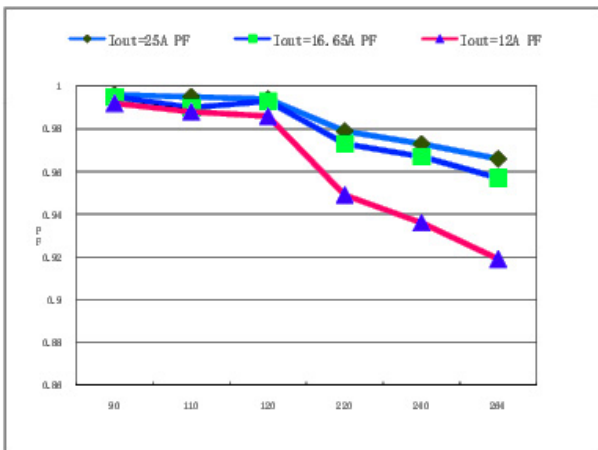
<b>Power</b>		+
<b>Input</b>	100-277 VAC	
<b>Output</b>	54 VDC	
<b>Protection</b>	OVP (Over Voltage Protection) <305 VAC SCP (Short Circuit Protection)	
<b>Physical</b>		+
<b>Casing Material</b>	Aluminum	
<b>IP Rating</b>	IP67 (Dust Tight and Waterproof)	
<b>Dimension</b>	260 x 120 x 55mm (W x D x H) or 10.24" x 4.73" x 2.17"	
<b>Weight</b>	6.62lbs (3kg)	
<b>Installation Type</b>	Wall mounting	
<b>Environmental</b>		+
<b>Operating Temp.</b>	40 to 167°F (-40 to 75°C)	
<b>Storage Temp.</b>	40 to 185°F (-40 to 85°C)	
<b>Relative Humidity</b>	10% to 95% (non-condensing)	
<b>Operation Humidity</b>	20-90%	
<b>Vibration Resistance</b>	10~500HZ, 2G 10min/period X, Y, Z line per hour	
<b>Regulatory</b>		+
<b>Standard</b>	EN 61347-1 EN 61347-2-13 EN 62493	
<b>EMC Emission</b>	EN 55015 EN 61000-3-2	
<b>EMC Immunity</b>	EN 55015 EX 61000-4-2,3,4,5,6,8,11	
<b>Warranty</b>		+
<b>Length</b>	5 Years	
<b>Details</b>	<a href="http://www.etherwan.com/support/warranty-policy">www.etherwan.com/support/warranty-policy</a>	

# Dimensions



# Power Factor & THD Characteristics

## 2. Power Factor & THD Characteristics



# Efficiency and Load of (100VAC/230VAC)

## 3. Efficiency & Load of (110VAC / 230VAC)

