

# EL200 Series

10/100BASE-TX to 100BASE-BX WDM Media Converter



## Product Highlights

### WDM Media Converter

- Supports multi-mode and single mode fiber with WDM fiber port

### DIP Switch Configurable

- Store-and-forward mode or converter mode selectable (default: store-and-forward mode)
- Link-fault-pass-through enable or disable
- Full-duplex or half-duplex of Ethernet port enable or disable
- Full-duplex or half-duplex of fiber port enable or disable

### Link-Fault-Pass-Through (LFPT)

- LFPT function lets network operators be aware of network connection status
- If a link fails, the LFPT function will notify the connected device and disable the connection

## Overview

The EL200 Series provide media conversion between 10/100BASE-T(X) and 100BASE-FX Fiber. Easy plug-and-play design facilitates network infrastructure construction. Through DIP switch selection, Link-Fault-Pass-Through (LFPT) function can be active or disabled. User can choose between store-and-forward mode and converter mode through DIP switch selection.

The EL200 series is designed for WDM fiber connection applications. This commercial grade media converter supports EtherWAN EMC1600 chassis system for easy group installation. The EL200 is the ideal media converter for enterprise environments.

## Ordering Information

### Model

<b>EL200CA-2</b>	10/100BASE-TX to 100BASE-BX Multi Mode (SC) WDM-TX: 1310nm/RX: 1550nm-2Km Media Converter
<b>EL200CB-2</b>	10/100BASE-TX to 100BASE-BX Multi Mode (SC) WDM-TX: 1550nm/RX: 1310nm-2Km Media Converter
<b>EL200CA-5</b>	10/100BASE-TX to 100BASE-BX Multi Mode (SC) WDM-TX: 1310nm/RX: 1550nm-5Km Media Converter
<b>EL200CB-5</b>	10/100BASE-TX to 100BASE-BX Multi Mode (SC) WDM-TX: 1550nm/RX: 1310nm-5Km Media Converter
<b>EL200CA-20</b>	10/100BASE-TX to 100BASE-BX Single Mode (SC) WDM-TX: 1310nm/RX: 1550nm-20Km Media Converter
<b>EL200CB-20</b>	10/100BASE-TX to 100BASE-BX Single Mode (SC) WDM-TX: 1550nm/RX: 1310nm-20Km Media Converter
<b>EL200CA-40</b>	10/100BASE-TX to 100BASE-BX Single Mode (SC) WDM - TX: 1310nm/RX: 1550nm-40Km Media Converter
<b>EL200CB-40</b>	10/100BASE-TX to 100BASE-BX Single Mode (SC) WDM - TX: 1550nm/RX: 1310nm-40Km Media Converter

\* EMC1600, proprietary 19" chassis system, can house up to 16 x EL200 Series Converters.

\* EMC1600 Chassis System is available separately.

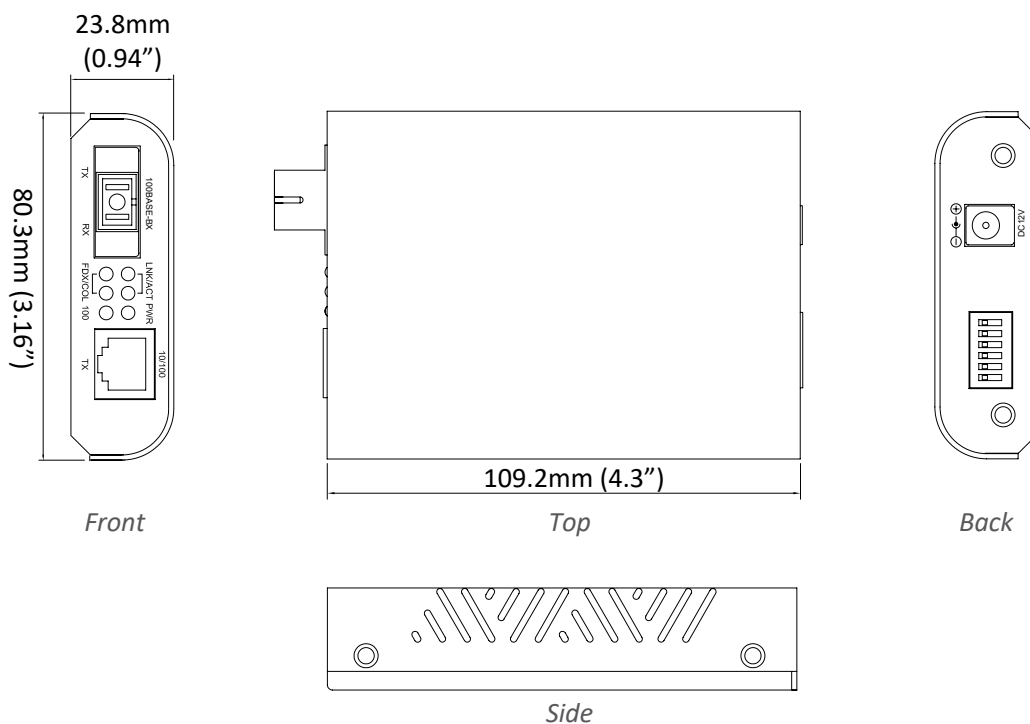
\* More 100FX fiber options are also available upon request.

# Hardware Specifications

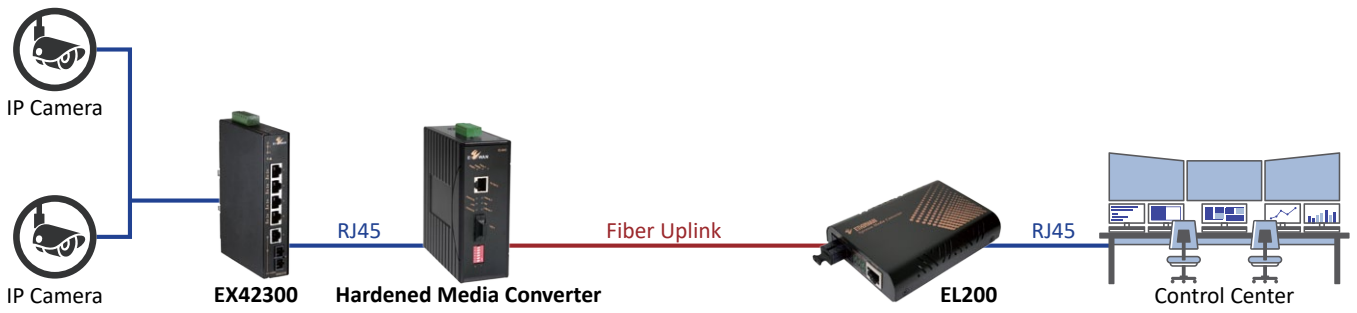
<b>Interface</b> +	
<b>Ethernet Port</b>	10/100BASE-TX: 1 port 100BASE-FX: 1 port
<b>LED Indicators</b>	Per Unit: Power Per Port: 10/100TX: Link/Activity, Full duplex/Collision, Speed Per Port 100FX: Link/Activity, Full duplex/Collision
<b>Technology</b> +	
<b>Standards</b>	IEEE 802.3 10BASE-T IEEE 802.3u 100BASE-TX/FX IEEE 802.3x Full duplex and flow control
<b>Forward/Filtering Rate</b>	14,880pps for 10Mbps 148,810pps for 100Mbps
<b>Processing Type</b>	Converter mode Store-and-Forward mode Half-duplex back-pressure and IEEE 802.3x full-duplex flow control Auto MDI/MDIX
<b>Power</b> +	
<b>Input</b>	12VDC
<b>Power Consumption</b>	1.92W max. 0.16A@12VDC
<b>Physical</b> +	
<b>Casing Material</b>	Aluminum
<b>Dimensions</b>	80.3 x 109.2 x 23.8mm (W x D x H) 3.16" x 4.30" x 0.94"
<b>Weight</b>	0.15kg (0.33lbs)
<b>Installation Type</b>	Wall mounting, or in EMC1600 Chassis System

<b>Environmental</b> +	
<b>Operating Temp.</b>	0 to 45°C (32 to 113°F)
<b>Storage Temp.</b>	-10 to 70°C (-14 to 158°F)
<b>Relative Humidity</b>	5% to 95% (non-condensing)
<b>Regulatory</b> +	
<b>ISO</b>	Manufactured in ISO-9001 facility
<b>Safety</b>	UL 62368-1
<b>Emission Compliance</b>	CE Mark Class A FCC Part 15B Class A VCCI Class A
<b>Warranty</b> +	
<b>Length</b>	Limited Lifetime
<b>Details</b>	<a href="http://www.etherwan.com/support/warranty-policy">www.etherwan.com/support/warranty-policy</a>
<b>What's Included</b> +	
<b>Device</b>	Media Converter
<b>Power</b>	12VDC Power Adapter
<b>Documentation</b>	Quick Install Guide

## Dimensions



# Application



## Accessories

Multiple Channel Chassis



[www.etherwan.com/products/media-converters/multiple-channel-media-converters](http://www.etherwan.com/products/media-converters/multiple-channel-media-converters)