

# EB-232

## Configuration Backup and Restoration Tool for Managed Switches



## Overview

The EB-232 dongle provides fast and effortless system backup and restoration on EtherWAN managed switches. In addition to saving and loading switch configuration files directly, the EB-232 can transfer configurations to and from a TFTP server. An automatic restore function can be activated, allowing the configuration saved on a connected EB-232 to be automatically loaded onto the switch when the switch is rebooted or power cycled. This greatly cuts down on system downtime in the event of a switch failure, because a failed switch can be quickly replaced with a new one running the same configuration.

The configuration on a switch can be quickly compared with the data stored on the EB-232, to ascertain if the configurations differ or are identical. This allows an administrator to quickly assess if a switch is running a specific configuration.

EtherWAN — "When Connectivity is Crucial."

## Features

- **Automatically restore switch configuration files**
- **Quickly compare configuration data on switch and EB-232**
- **Operation through an intuitive GUI**

# Hardware Specifications

## Storage Capacity

- 192 KB

## Power

- 3.3 VDC (through the RS-232 port's RI signal)

## Interface

### LED Indicators

- Power LED (Green)
- Alarm LED (Green/Amber)

## Mechanical

### Housing

- PVC molding

### Weight

- 64g

## Environment

### Operating Temperature

- -40 to 75°C (-40 to 167°F)

### Storage Temperature

- -40 to 85°C (-40 to 185°F)

### Ambient Relative Humidity

- 5 to 95 % (non-condensing)

## Regulatory Approvals

### ISO

- Manufactured in an ISO 9001 facility

### EMI

FCC Part 15B, Class A

VCCI Class A

EN 61000-6-4

EN 61000-3-2

EN 61000-3-3

### EMS

EN 61000-6-2

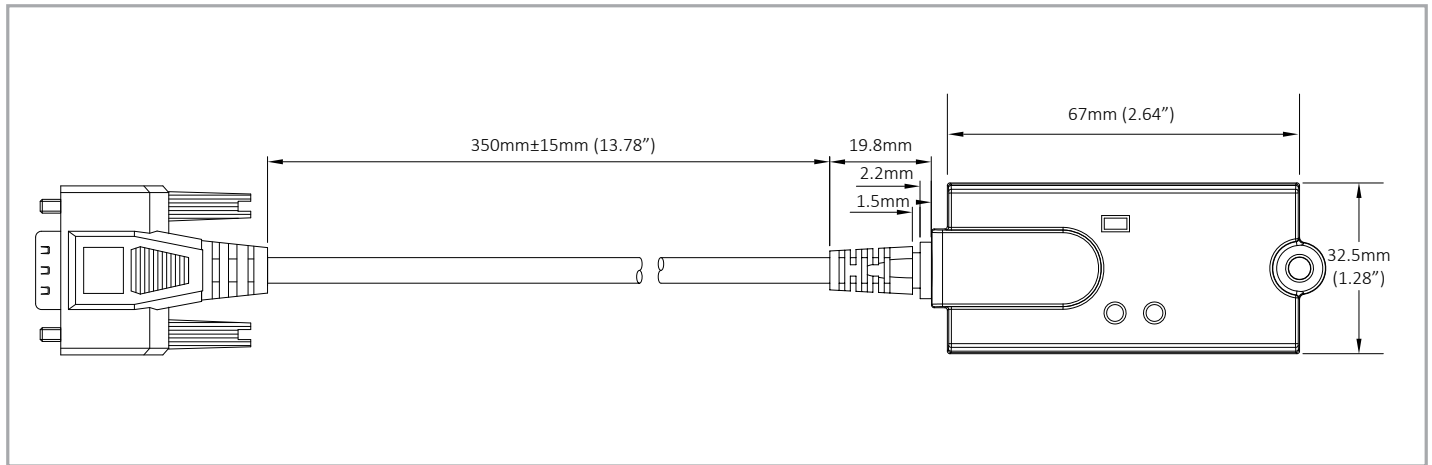
- EN 61000-4-2 (ESD Standards)
- EN 61000-4-3 (Radiated RFI Standards)
- EN 61000-4-4 (Burst Standards)
- EN 61000-4-5 (Surge Standards)
- EN 61000-4-6 (Induced RFI Standards)
- EN 61000-4-8 (Magnetic Field Standards)

### Environmental Test Compliance

IEC 60068-2-6 Fc (Vibration Resistance)

FED STD 101C Method 5007.1 (Free fall w/package)

# Dimensions



# Ordering Information

## Model

**EB-232**

Configuration Backup and Restoration Tool for Managed Switches

*\*The following series of managed switches support configuration backup through EB-232  
EX71000, EX73000, EX78000, EX73900, EX77900, EX78900*