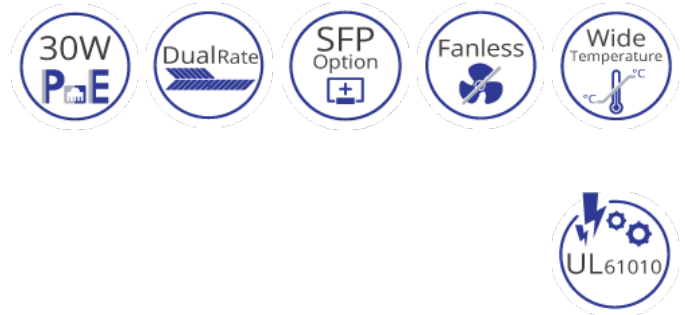


EX41922-T

Hardened Unmanaged 2-port 10/100/1000BASE PoE+2-port 100/1000 SFP Ethernet Switch



Overview

EtherWAN's EX41922 Series is a compact hardened unmanaged Gigabit switch, designed as an easily deployed platform for peripheral devices in harsh environments. It is a cost-effective option for surveillance systems in extreme climates.

The new EX41922-T is equipped with two 10/100/1000Base RJ-45 copper ports supporting Power over Ethernet (PoE), and two 100/1000Base SFP fiber optic slots for long distance connectivity. The two uplink SFP interfaces provide 100 or 1000SFP speed, selected by DIP switch. They can be used in a daisy chain formation, and are compatible with the proprietary Alpha-chain redundancy protocol when used with a compatible EtherWAN managed switch. Moreover, EX41922-T provides up to 30 Watts PoE per port with a total power budget of 60 Watts. Although unmanaged, the EX41922-T is feature-rich with 10K Jumbo Frame support, full wire speed Gigabit throughput, QoS support, and eco-friendly IEEE802.3az EEE (Energy Efficient Ethernet) compliance. With its hardened specifications, high performance, and energy efficiency, the EX41922-T is a flexible and reliable solution for extended networks.

EtherWAN — "When Connectivity is Crucial."

Spotlight

+ Hardened Grade

Supports -40 to 75°C (-40 to 167°F) operating temperature

Redundant power inputs on terminal block connector

Supports DIN-Rail mounting

+ Fiber Connectivity

Up to two 1000BASE SFP ports for daisy chain or Alpha-chain applications

Provides 100BASE or 1000BASE SFP by DIP switch

+ Port Failure Alarm

Provide relay alarm to notify users when power fails or link down occurs by DIP switch

+ Full Gigabit bandwidth and Jumbo frame

Gigabit wire-speed transmission for bandwidth-demanding application

Jumbo frame up to 10K bytes to increase throughput and transmission efficiency

Specifications

+ Technology

Standards

IEEE802.3 10BASE-T
IEEE802.3u 100BASE-TX/100BASE-FX
IEEE802.3ab 1000BASE-T
IEEE802.3z 1000BASE-SX/1000BASE-LX
IEEE802.1x, Full duplex flow control
IEEE802.1az Energy Efficient Ethernet

Forward and Filtering Rate

14,880pps for 10Mbps
148,810pps for 100Mbps
1,488,100pps for 1000Mbps

Packet Buffer Memory

1MB

Processing Type

Store-and-Forward
Auto Negotiation
Half-duplex back-pressure and IEEE802.3x full-duplex flow control
Auto MDI/MDIX

Jumbo Frame

10K bytes

Address Table Size

8K MAC addresses

Broadcast Storm Protection Threshold

Limit 15,000 packets per second.

+ Interface

Ethernet Ports

10/100/1000BASE-T: 2 ports
100/1000BASE SFP: 2 ports

LED Indicators

Per Unit: Power1 (Green), Power2 (Green), Alarm (Red)

Per Port: Link & Activity (Green)

Per PoE Port: PoE (Amber)

DIP Switches

Enable/Disable Port fault alarm, SFP port on 100BASE.

Alarm Contact

One relay output with current 0.5A/48VDC
Supports normal close and normal open

+ Environment

Operating Temperature

-40 to 75°C (-40 to 167°F)

Storage Temperature

-40 to 85°C (-40 to 185°F)

Ambient Relative Humidity

5% to 95% (non-condensing)

+ Power

Input Voltage

Redundant power inputs; Terminal Block:
52–57VDC for PoE

Power Consumption

63.6W@52VDC, 63.8W@57VDC

PoE Power budget: 60W

Power Technology

Alternative A

Pins 1/2(+), 3/6(-)

+ Mechanical

Casing

Metal case

IP30

Dimensions

42 x 90 x 100mm (W x D x H)

(1.65" x 3.54" x 3.93")

Weight

0.37Kg (0.82lb)

Installation

DIN-Rail

+ Regulatory Approvals

ISO

Manufactured in an ISO 9001 facility

Safety

UL 61010

EMI

FCC Part 15B Class A

VCCI Class A

EN 61000-6-4

EMS

EN 61000-6-2

- EN 61000-4-2 (ESD Standards)
- EN 61000-4-3 (Radiated FRI Standards)
- EN 61000-4-4 (Burst Standards)
- EN 61000-4-5 (Surge Standards)
- EN 61000-4-6 (Induced RFI Standards)
- EN 61000-4-8 (Magnetic Field Standards)

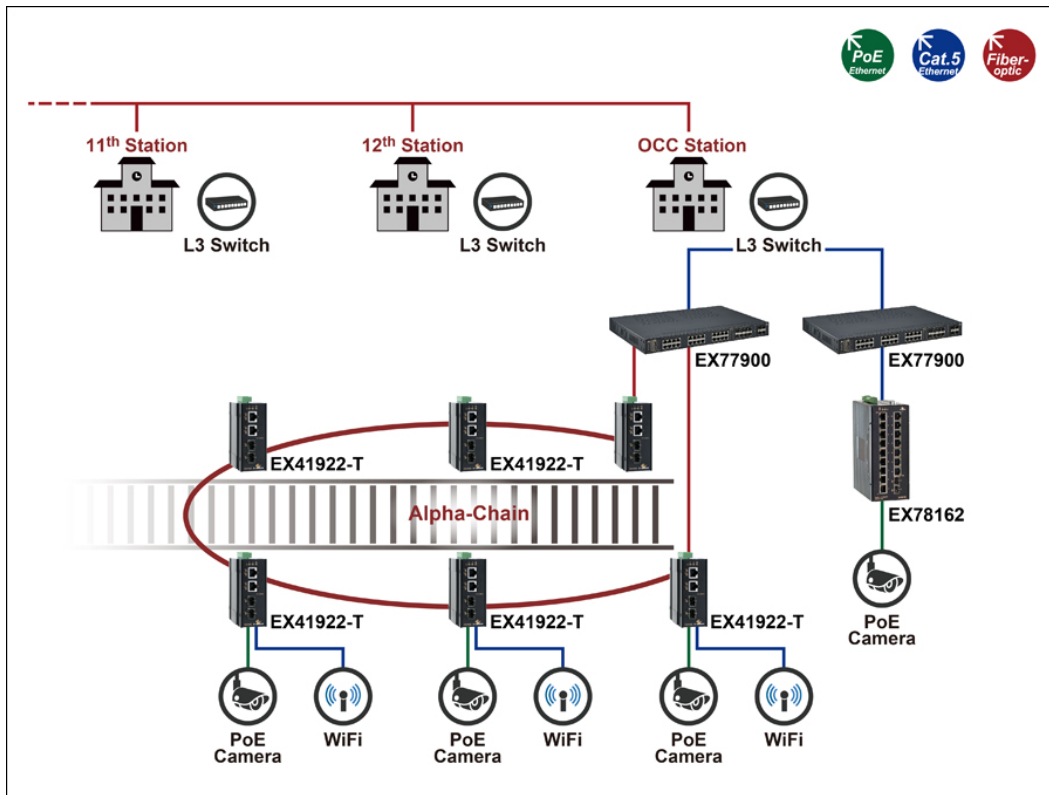
Environmental Test Compliances

IEC 60068-2-6 Fc (Vibration)

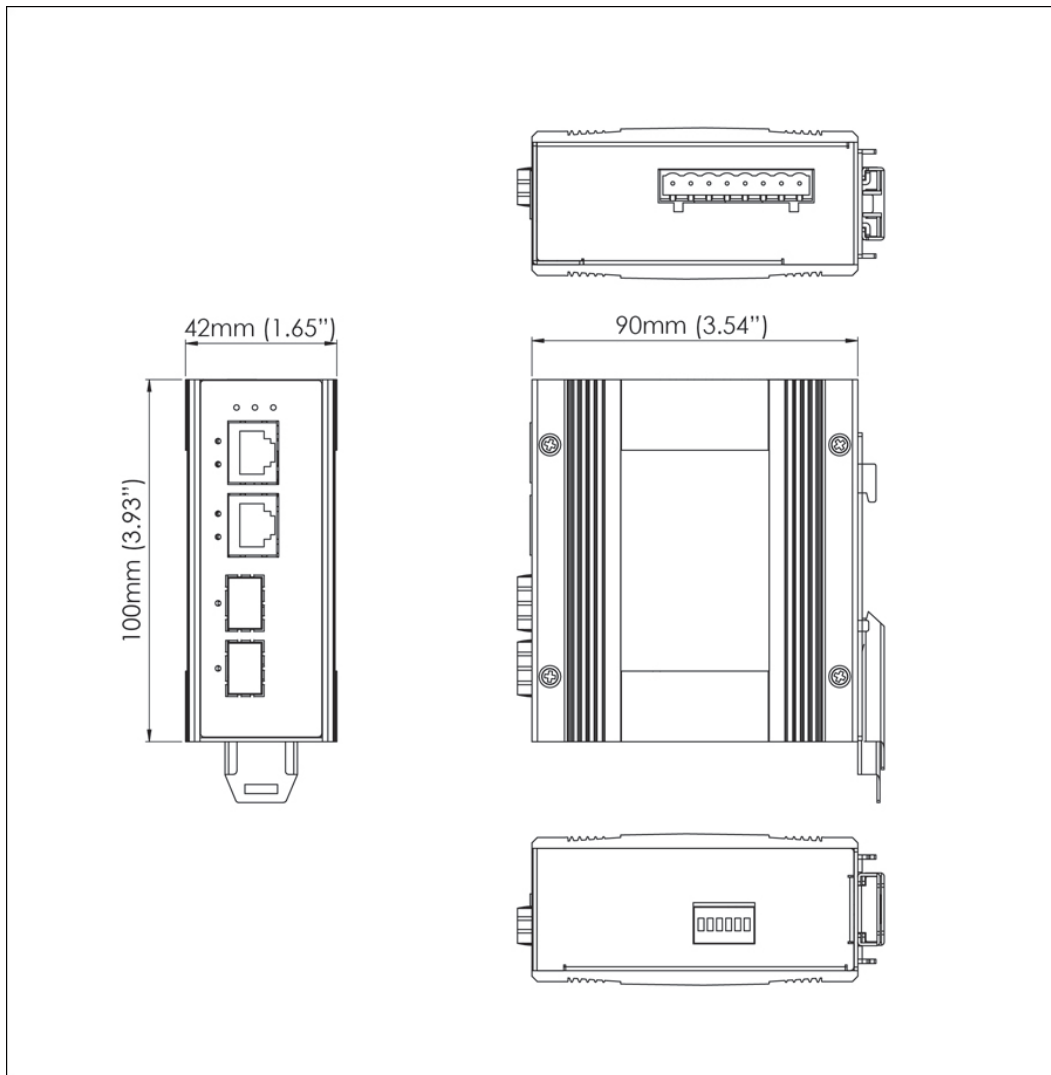
IEC 60068-2-27 Ea (Shock)

FED STD 101C Method 5007.1 (Free fall w/ package)

Application



Dimensions



Ordering Info

+ Model

EX41922-T	2-port 10/100/1000Base-T PoE+2-port 100/1000 SFP Hardened Unmanaged Ethernet Switch
------------------	---

* DIN-Rail mounting kit included

