

SDR-480-48

480W/10A DIN-Rail 48VDC Industrial Power Supply



Features

- High efficiency 94% and low power dissipation
- UL508 (industrial control equipment) approved
- EN61000-6-2 (EN50082-2) industrial immunity level
- -25°C to 70°C operating temperature range



Hardware Specifications

Power

Power Input

- Voltage Range: 90 to 240VAC or 127 to 370VDC
- Frequency Range: 47 to 63Hz
- Power Factor (Typ.): 0.94 / 230VAC;
- 0.99 / 115VAC at full load
- Efficiency: 94%
- AC Current (Typ.): 5A/115VAC; 2.5A/230VAC
- Inrush Current (Typ.): 40A/115VAC; 80A/230VAC
- Leakage Current: <0.8mA / 240VAC

Power Output

- DC Voltage: 48V Rated Current: 10A
- Current Range: 0 to 10A
- Rated Power: 480W
- Peak Current 15A Peak Power: 720W (3sec.)
- Ripple & Noise (max.): 120mVp-p
- Voltage Tolerance: $\pm 1.0\%$
- Line Regulation: $\pm 0.5\%$
- Load Regulation: $\pm 1.0\%$
- Setup, Rise Time: 1500ms, 150ms/230VAC 3000ms,
150ms/115VAC at full load
- Hold up Time: 14ms/230VAC at full load

Over Temperature Protection

- 105°C $\pm 5^\circ\text{C}$ (TSW : detect on heatsink of power switch)
- Shut down o/p voltage, recovers automatically after temperature goes down

Environmental

Operating Temperature

- -25°C to 70°C (Refer to output load derating curve)

Storage Temperature

- -40°C to 85°C (-40°F to 158°F)

Working Humidity

- 20% to 90%RH non-condensing

Storage Humidity

- 10% to 95%RH

Regulatory Approvals

Safety

- UL508
- TUV EN60950-1

EMC

- EN55022
- EN61000-3-2
- EN61000-3-3
- Withstand Voltage
 - I/P-O/P:3KVAC
 - I/P-FG:1.5KVAC
 - O/P-FG:0.5KVAC
 - O/P-DC OK:0.5KVAC
- Isolation Resistance
 - I/P-O/P
 - I/P-FG
 - O/P-FG:>100M Ohms / 500VDC / 25°C / 70% RH

EMS

- EN61000-4-2,3,4,5,6,8,11 ENV50204 EN55024 EN61000-6-2 (EN50082-2) EN61204-3 Heavy industry level, criteria A , SEMI F47 approved

Environmental Test Compliance

- IEC60068-2-6
 - Component:10 to 500Hz, 2G 10min./1cycle, 60min. each along X, Y, Z axes; mounting: Compliance to IEC60068-2-6

Mechanical

Casing

- Aluminum case

Dimensions

- 85.5mm (W) x 128.5mm (D) x 125.2 mm(H)
(3.42" (W) x 5.14" (D) x 5.01" (H))

Weight

- 1.6kg (3.52 lb)

Installation

- DIN-Rail

Protection

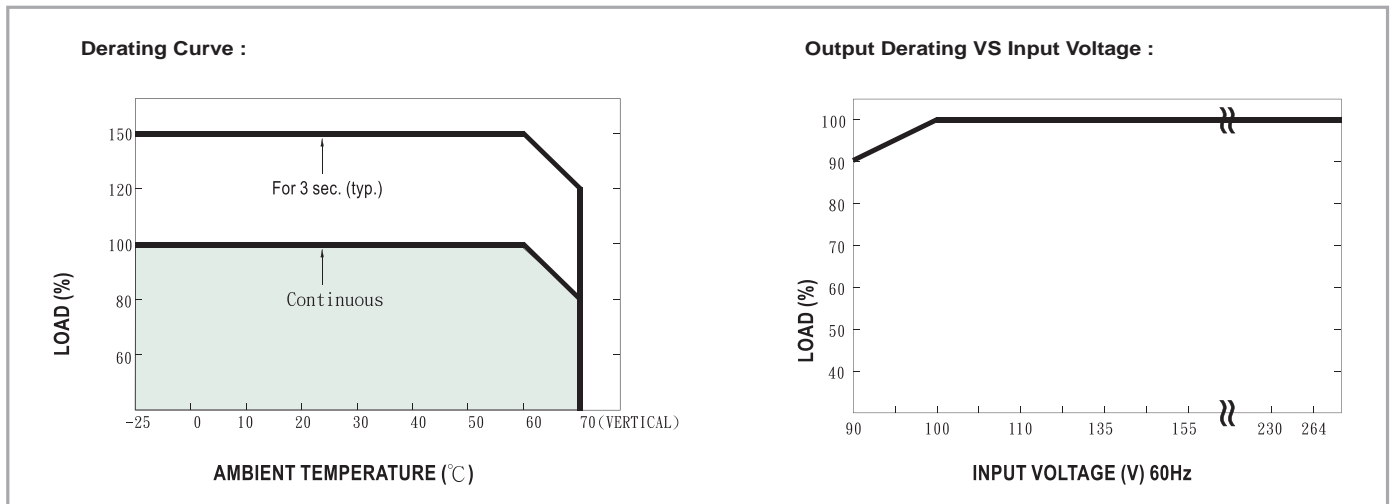
Over Voltage Protection

- 56 - 65V

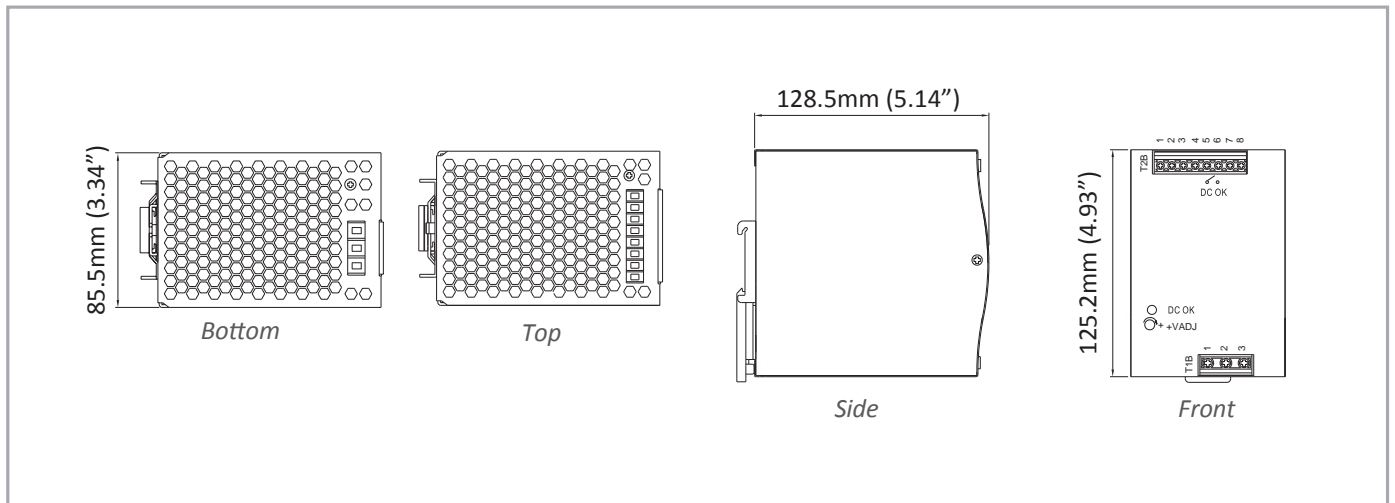
Over Load Protection

- Normally works within 110 to 150% rated output power for more than 3 seconds and then shut down o/p voltage with auto-recovery

Derating Curves



Dimensions



Ordering Information

Model

SDR-480-48	480W/10A DIN-Rail 48VDC Industrial Power Supply
-------------------	-------------------------------------------------