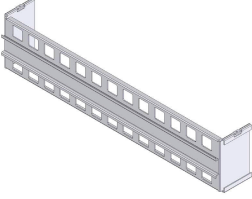
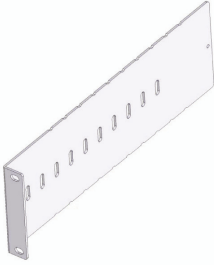




19" Rackmount Adjustable DIN-Rail Bracket

The TransRack is installed in a standard 19" rack cabinet to allow DIN-Rail mounted equipment to be rack mounted. This quick guide shows you how to assemble the TransRack.

The TransRack package contains following components:

			
(1) Rackmount DIN-Rail Chassis x 1	(2) Rackmount Chassis Holder x 2	(3) M4x5 Flathead Screw x 2	(4) M3x6 Screw x 2

Assembling procedures are listed below:

1. Slide the Rackmount Chassis Holders (2) into the guide rails on two sides of the Rackmount DIN-Rail Chassis (1) and adjust the Rackmount Chassis Holders (2) to appropriate position.
2. Use screwdriver to fasten the M4x5 Flathead Screws (3) to the Rackmount Chassis Holders (2) to prevent the Rackmount Chassis Holders (2) falling off the Rackmount DIN-Rail Chassis (1).
3. Push backward or pull forward the Rackmount Chassis Holders (2) along the guide rails on two sides of the Rackmount DIN-Rail Chassis (1) to adjust the depth of the TransRack and offer flexible space for fitting in DIN-rail mountable equipment. Use screwdriver to fasten the M3x6 Screws (4) to the Rackmount DIN-Rail Chassis (1). Please make sure the Rackmount Chassis Holders (2) and the Rackmount DIN-Rail Chassis (1) are securely assembled.
4. Slide the TransRack into the standard 19" rack cabinet. Then use screwdriver and four screws to attach the TransRack to the standard 19" rack cabinet.

