

# DR-60-24

60W/2.5A DIN-Rail 24VDC Industrial Power Supply



## Features

- -20°C to 60°C operating temperature range
- Can be installed on DIN-rail TS-35 / 7.5 or 15
- Protections: Short circuit / Over load / Over voltage / Over temperature
- Isolation class II
- UL60950-1, TUV EN60950-1 approved

## Hardware Specifications

### Power

#### Power Input

- Voltage Range: 88 to 264VAC; 124 to 370VDC
- Frequency Range: 47 to 63Hz
- Efficiency: 84% AC Current (Typ.): 1.2 / 115VAC; 0.8A / 230VAC
- Inrush Current (Typ.): Cold Start 18A / 115VAC; 36A / 230VAC

#### Power Output

- DC Voltage: 24V
- Rated Current: 2.5A
- Current Range: 0 to 2.5A
- Rated Power: 60W
- Ripple & Noise (max.): 150mVp-p
- Voltage Adj. Range: 21.6 to 26.4V
- Voltage Tolerance: + / - 1.0%
- Line Regulation: + / - 1.0% Load Regulation: + / - 1.0%
- Setup, Rise Time: 100ms, 30ms / 230VAC; 200ms, 30ms / 115VAC at full load
- Hold up Time: 100ms / 230V

### Mechanical

#### Casing

- Plastic Case

#### Dimensions

- 78mm (W) x 56mm (D) x 93mm (H)  
(3.17" (W) x 2.2" (D) x 3.66" (H))

#### Weight

- 0.3Kg

#### Installation

- DIN-Rail

### Protection

#### Over Voltage Protection

- 27.6 - 32.4V
- Protection type : Shut down o/p voltage , re-power on to recover

#### Over Load Protection

- 105 -160% rated output power
- Protection type : Constant current limiting, recovers automatically after fault condition is removed

### Environment

#### Operating Temperature

- -20°C to 60°C (-4°F to 140°F)

#### Storage Temperature

- -40°C to 85°C (-40°F to 185°F)

#### Working Humidity

- 20% to 90%RH non-condensing

#### Storage Humidity

- 10% to 95%RH

### Regulatory Approvals

#### Safety

- UL60950-1, TUV EN60950-1 approved, design refer to EN50178

#### EMC

- EN55011
- EN55022 (CISPR22) Class B
- EN61000-3-2, -3
- Withstand Voltage:
  - I/P-O/P: 3KVAC
- Isolation Resistance:
  - I/P-O/P: 100M Ohms / 500VDC

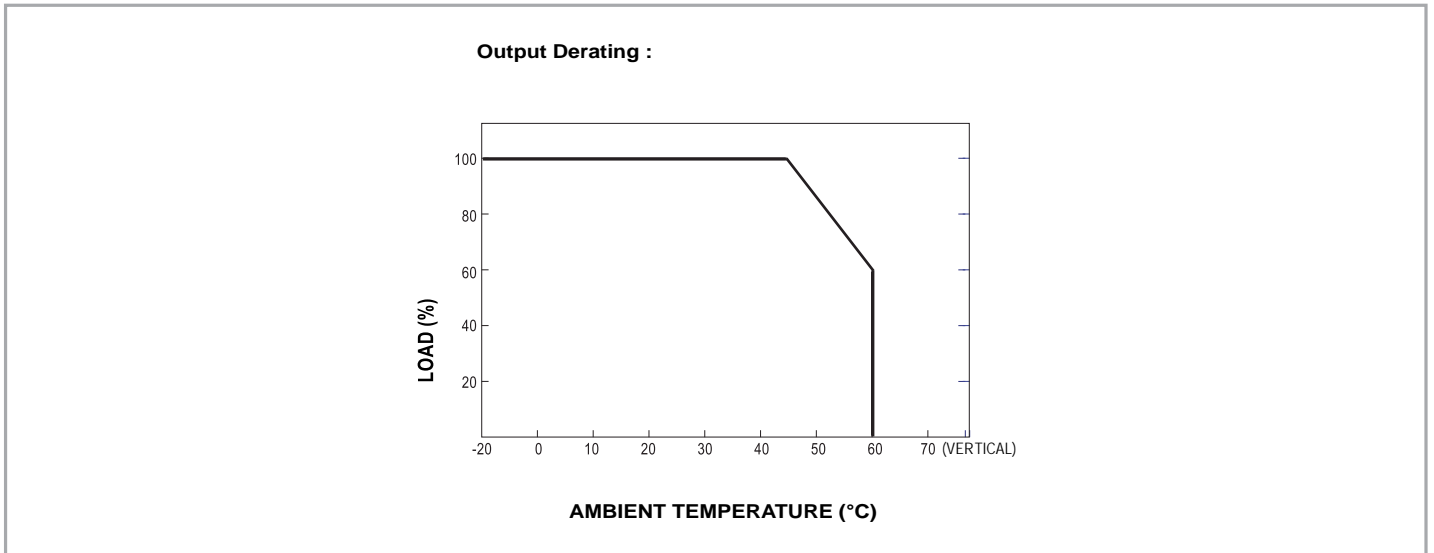
#### EMS Immunity

- EN61000-4-2,3,4,5,6,8,11
- ENV50204
- EN55024
- N61000-6-2
- EN61204-3, EN50082-2, Heavy industry level, criteria A

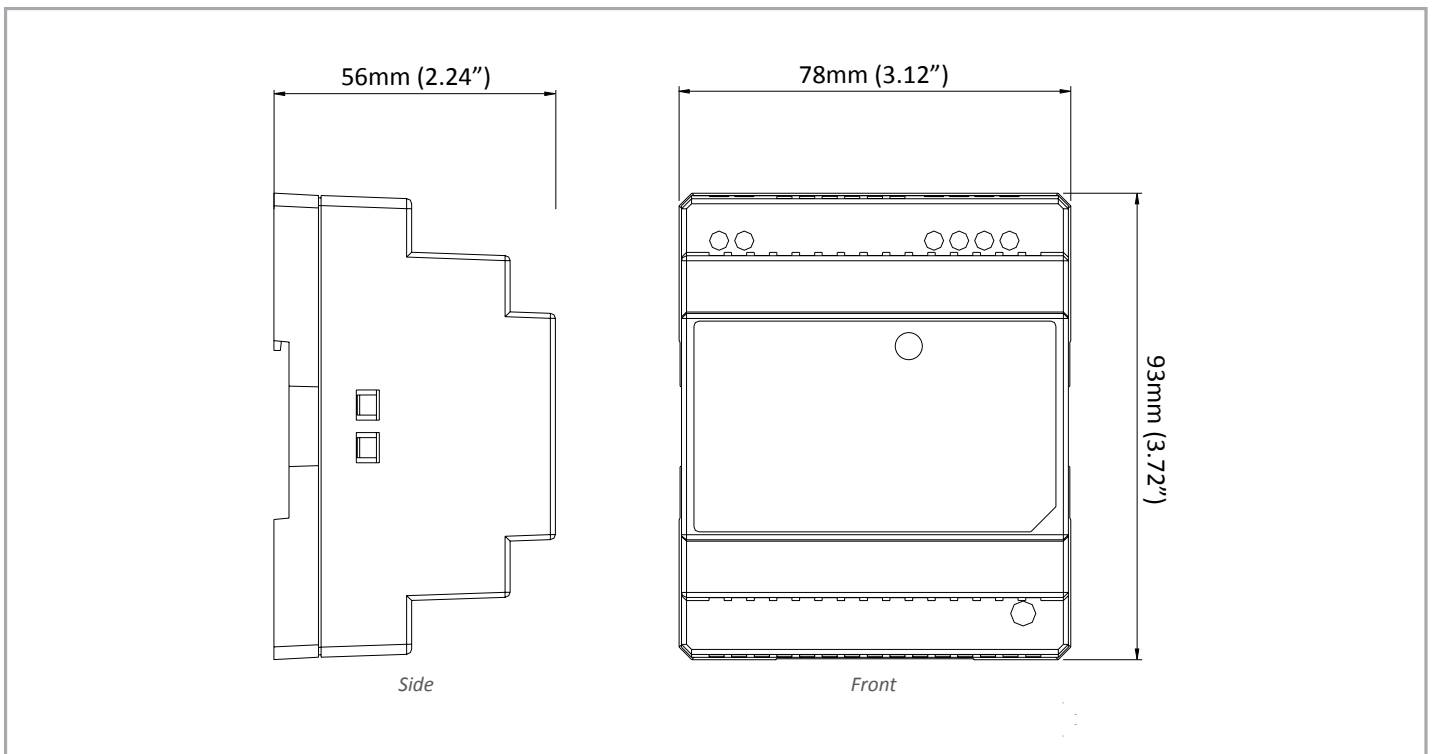
#### Environmental Test Compliance

- Vibration 10 to 500Hz, 2G 10min. / 1 cycle, period for 60 min. each along X, Y, Z axes

## Derating Curves



## Dimensions



## Ordering Information

### Model

**DR-60-24**

60W/2.5A DIN-Rail 24VDC Industrial Power Supply