

# DD-85-48

85W/1.78A 48VDC Industrial Power Supply



## Features

- Wide input voltage range from 12VDC to 36 VDC
- -10°C to 60°C operating temperature range
- Over-voltage / over-current / reverse input protection

## Hardware Specifications

### Power

---

#### Output

- DC Voltage: 48VDC
- Current Range: 0 to 1.78A
- Rated Power: 85W

#### Input

- Voltage Range: 12-36VDC
- Inrush Current: 13A max./12VDC or 50A/36VDC

#### Protection

- Over Voltage Protection: 56V
- Over-current protection: 110% to 180% of rated value

### Mechanical

---

#### Casing

- Aluminum case

#### Dimensions

- 50mm (W) x 148mm (D) x 165mm(H)  
(1.96" (W) x 5.82" (D) x 6.49" (H))

#### Weight

- 1.2kg (2.64 lb)

#### Installation

- DIN-Rail and Panel mounting (both mounting kits are included)

### Environment

---

#### Operating Temperature

- -10°C to 60°C (Refer to output load derating curve)

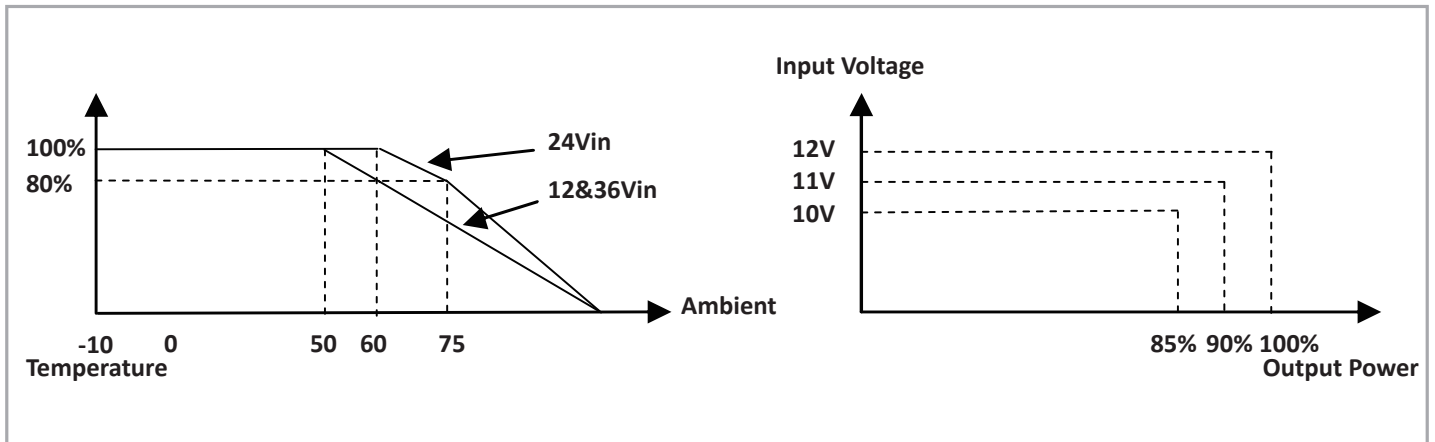
#### Storage Temperature

- -20°C to 85°C (-4°F to 158°F)

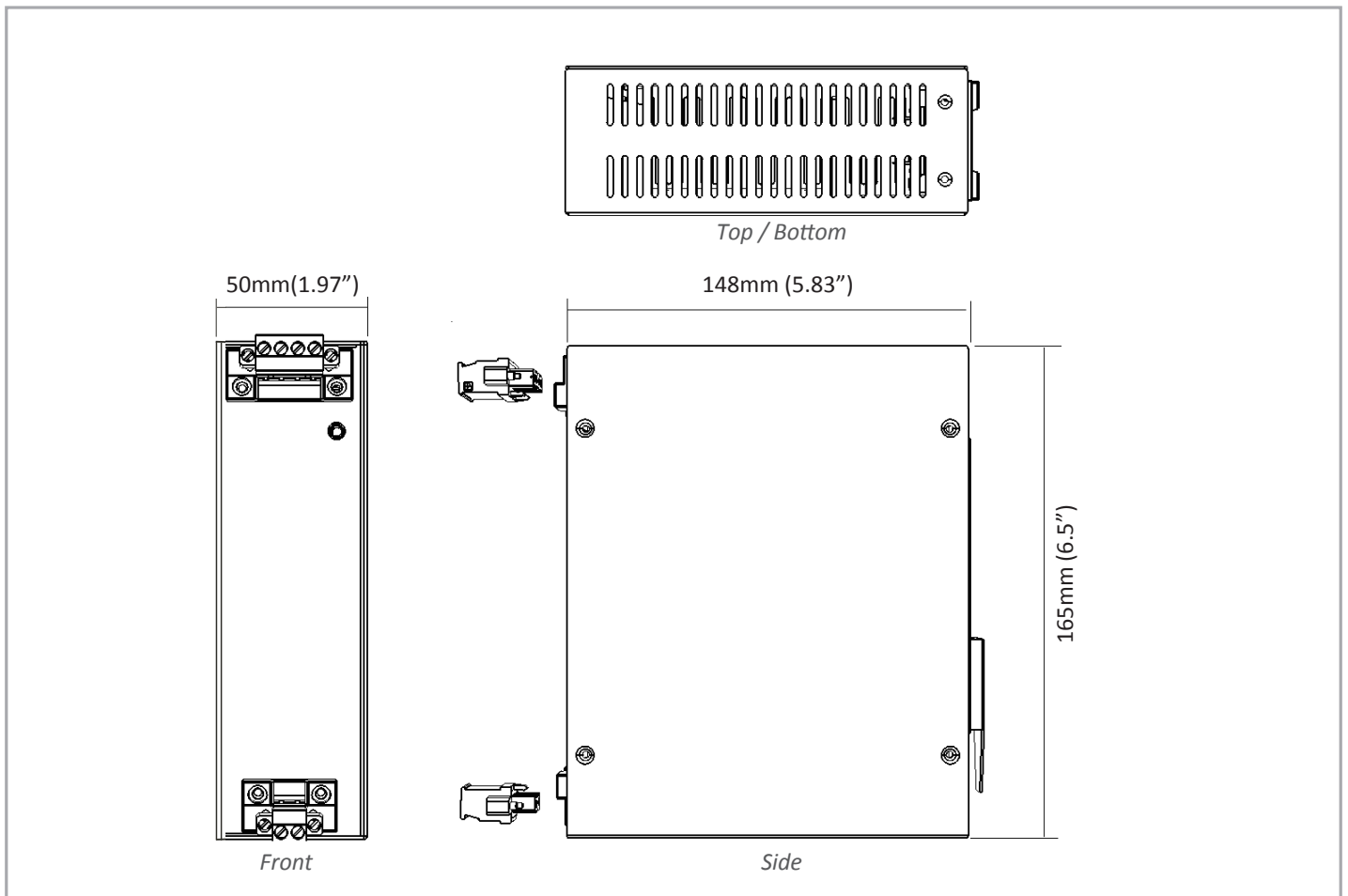
#### Working Humidity

- 0% to 95% RH

## Derating Curves



## Dimensions



## Ordering Information

### Model

DD-85-48	85W/1.78A 48VDC Industrial Power Supply
----------	---