

41-136044

36W/3A 12VDC Hardened Power Adapter with Latched DC Jack
in Aluminum Housing



Features

- The 41-136044 power adapter can be used with the following EtherWAN models:
 - EX33000, EX35000, EX41000, EX43000, EX47000, EX61000, EX61000A, EX62000, EX63000, EX65000, EX71000, EX72000, EX73000, EX94000, EX95000, EX96000, EL900 EL9000, EL9020, EL9100, EL1141, ED3341, ED3344, ED3141, and ED3171 Series.
- Complies with NEMA TS1 & TS2 environmental requirements for traffic control equipment



Hardware Specifications

Power

Input Rating

- 90 - 264VAC (47 - 63Hz)

Output Rating

- 36W, 12VDC, 0 - 3A

Mechanical

Casing

- Aluminum case

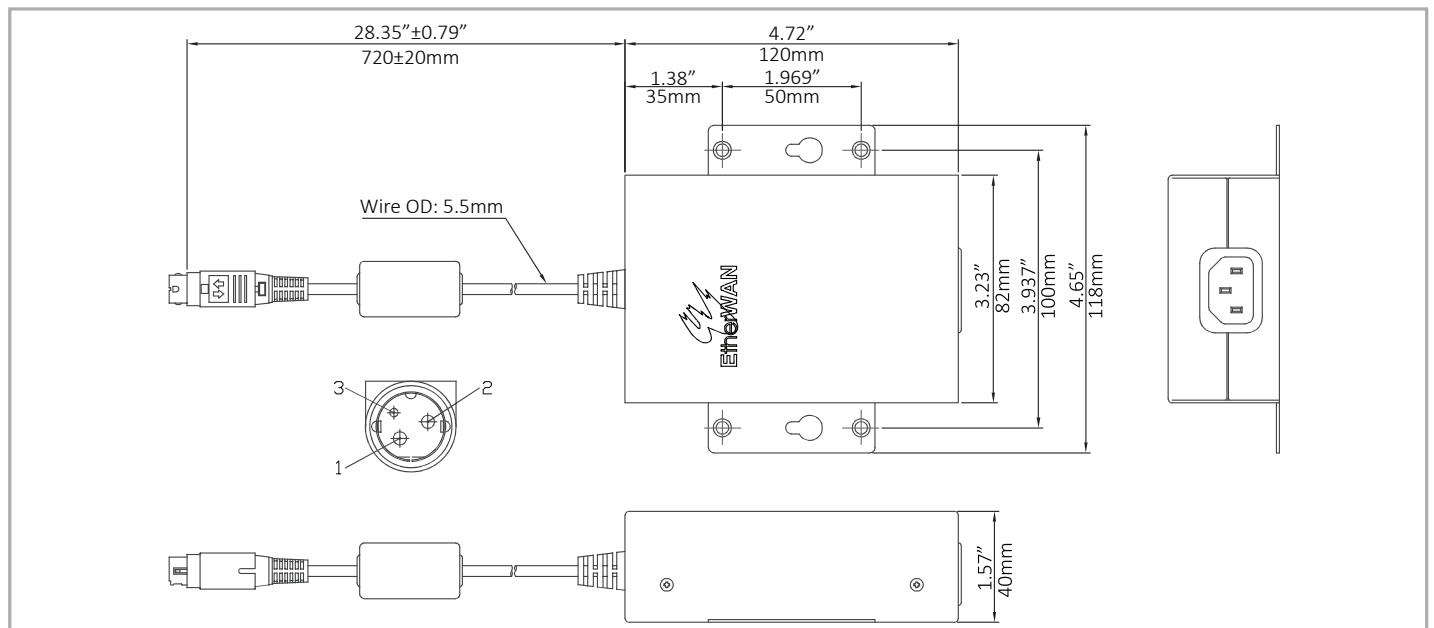
Operating Temperature

- -40°C to 75°C (-40°F to 167°F)

Output Connector

- DC jack with latch

Dimensions



Ordering Information

Model

41-136044-X	36W/3A 12VDC Hardened Power Adapter
41-136044-U	45W 12VDC Level 6 Hardened Power Adapter (for US and Canada only)

Input Plug Options (X)

2	EU
3	UK
4	AU
5	JP
6	SA